

本手册是株式会社赛巴(上海)微电子有限公司的产品概述。
若图片与实物有所出入, 请以实物为准。用户如需我公司更多产品资料, 请与我公司市场部联系。



株式会社赛巴(上海)微电子有限公司

ZHU SHI SEBA(SHANGHAI) MICROELECTRONICS CO., LTD.

邮箱(E-mail): seba@seba.com.cn

网址(Website): www.seba.com.cn

Agent:

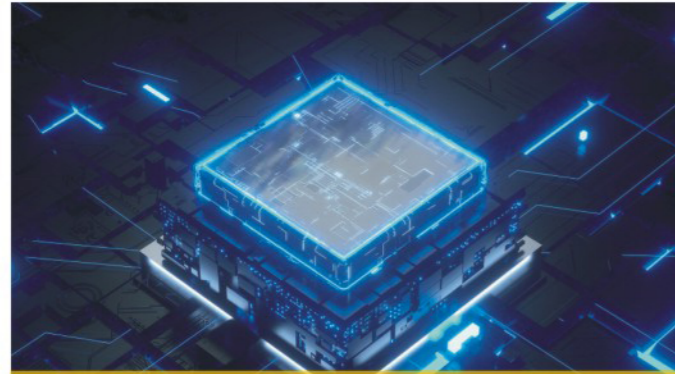


SEBA(shanghai)
Microelectronics



选型手册
Selection Guide

株式会社赛巴(上海)微电子有限公司
ZHU SHI SEBA(SHANGHAI) MICROELECTRONICS CO., LTD.



半导体 SEMICONDUCTOR

生产适用于CCSS(中央供应装置)设备内的
Chemical flow control流量计, 阀门及PFA Tube
Manufacture Chemical Flow Control flowmeters, valves
and PFA tubes for CCSS(Central Supply Unit) equipment



光伏行业 PHOTOVOLTAIC INDUSTRY

面向太阳能电池制造工程的氟树脂耐化学品、
耐纯水的化学流体系统
Fluorine resin chemical resistant and pure water resistant
chemical fluid system for solar cell manufacturing engineering



能源化工 ENERGY AND CHEMICAL INDUSTRY

为化工和石化应用以及关键应用提供安全、可靠且耐用
的解决方案, 提升工厂效率。

Provide safe, reliable, and durable solutions for chemical
and petrochemical applications, as well as critical
applications, to improve factory efficiency.



FPD平面显示器 FPD FLAT PANEL DISPLAY

生产适用于液晶面板LCD、有机EL(OLED)制造工程等离子
面板(PDP)制造工程、玻璃基板制造工程中清洗设备及显影
设备的管路化学流体系统

Production of pipeline chemical fluid systems suitable for cleaning and
developing equipment in liquid crystal panel LCD, organic EL (OLED)
manufacturing engineering, plasma panel (PDP) manufacturing
engineering, and glass substrate manufacturing engineering

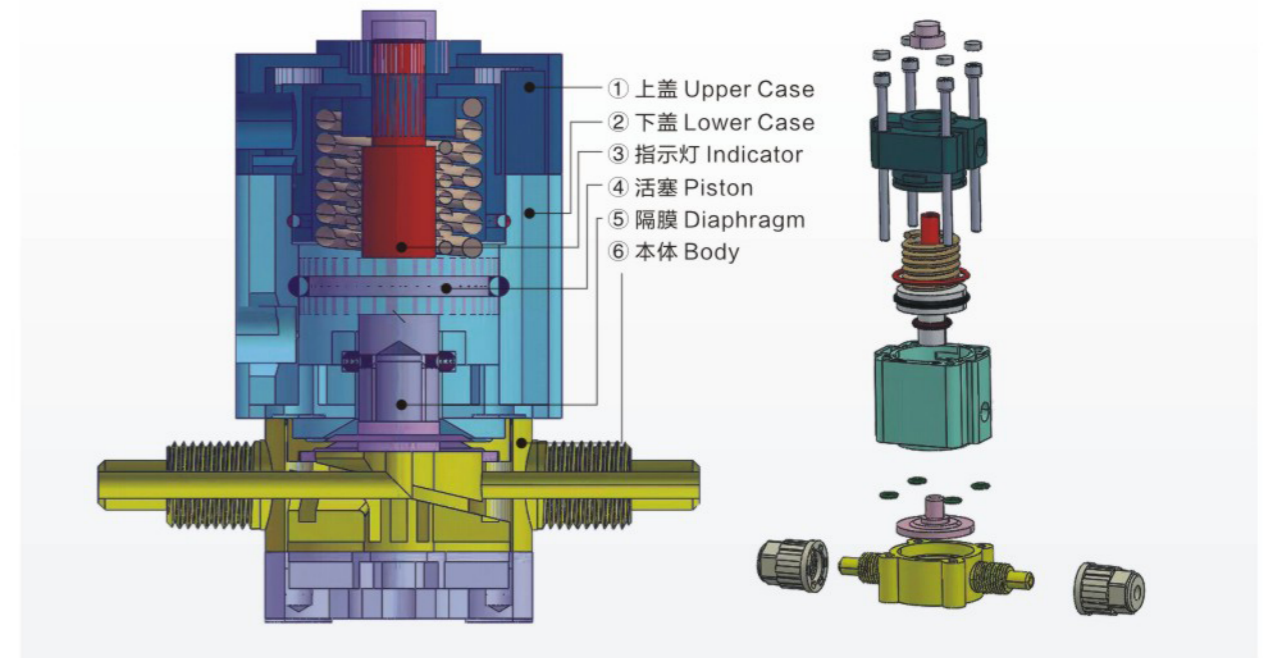
对应高压、高浓度的腐蚀性流体, 化学液体供液设备、VMB设备可放心使用。
化学液体阀产品从小型~大型多种机型可选。还有加强安全性, 加入防误操作功能的机型。
For corrosive fluids with high pressure and high concentration, chemical liquid supply equipment and VMB
equipment can be used with confidence.
Chemical liquid valve products from small to large models can be selected. There are strengthened security,
the addition of anti-misoperation function of the model.

产品特征Product features

可以通过指示灯方便地确认阀门的状态
采用注塑成型抑制粉尘
准确的流体控制
优惠的价格和优秀的性能
设置方便
适用所有的酸/碱性流体

Easy to check the operation by indicator
No particle by injection molding
Precision flow control
Low price and high performance
Easy to install
Suitable for use with all type of acidic of alkaline liquid

SEBA PFA Valve特征



PFA自动阀 PFA Auto Valve

- 3段分离构造构成维护维修及拿取方便(上, 下盖
90°C 锁定构造方式)
- 注塑成型防止发生粉尘
- 容易识别是否动作的指示灯(③)(开/关指示灯
的视觉效果)
- 使用确认Leak的指示灯
- 优秀的寿命
(所有的酸, 碱性流体中保证300万次以上)
- 可以对应多样的卡套管尺寸 (Pillar, Flare... ..)
- 使用经过验证的原材料
-本体: AP211SH (DAIKIN社)
-隔膜: M112 (DAIKIN社)
- 为了耐内压使用包装方式
-隔膜上端的翅膀部组装截面进行包装
处理, 提高耐内压性
- 3-stage separation structure for easy maintenance
and access (upper and lower Case90°C Lock structure)
- Injection molding prevents dust generation
- Indicator (③) that is easy to identify whether it is
operating (visual effect of On/Off Indicator)
- Use the indicator that confirms the leak
- Excellent longevity
(Guaranteed more than 3 million times in all acid and
alkaline fluids)
- Can correspond to various Tube Sizes (Pillar, Flare... ..)
- Use of proven raw materials
-Body: AP211SH (DAIKIN)
-Diaphragm: M112 (DAIKIN)
- Use Packing method to withstand internal pressure
-The wing assembly section at the upper end of the
Diaphragm is packed to improve the internal pressure
resistance

专业生产

SPECIALIZED PRODUCTION

● SM手动隔膜阀
SM manual diaphragm valve

● SA气动隔膜阀
SA pneumatic diaphragm valve

安装及注意事项 Installation and precautions

产品保修

Product Warranty

- ① 产品保修期是销售日起一年。
- ② 保修期内因我公司的设计和制造问题而导致故障或损坏时，会立即免费维修或更换。
- ① The product warranty period is one year from the date of sale.
- ② During the warranty period, if any malfunction or damage occurs due to our company's design and manufacturing issues, we will immediately provide free repair or replacement.

设计及选产品时

When designing and selecting products

- ① 机械选择不正确，会导致系统发生故障。
- ② 选择及操作机械时，请提前确认产品目录。
- ③ 产品构成材料和使用流体周围环境和适合性，请提前咨询确认。
- ④ 流体压力及温度请参考产品目录。
- ① Incorrect mechanical selection can lead to system failure.
- ② Please confirm the product catalog in advance when selecting and operating machinery.
- ③ Please consult and confirm in advance the material composition of the product and the surrounding environment and suitability of the fluid used.
- ④ Please refer to the product catalog for fluid pressure and temperature.

维修空间的确保

Ensuring maintenance space

- ① 请确保维修检查所需要的空间。
- ② 不正确的安装及铺设管道会导致客户系统出现严重问题，此外请事先确认流体和相关机械的适当性等。
- ① Please ensure the space required for maintenance and inspection.
- ② Incorrect installation and pipeline laying can lead to serious problems in the customer's system. In addition, please confirm the suitability of the fluid and related machinery in advance.

安装时

During installation

安装后检查有无泄漏以及功能，并确认是否安装正确。
After installation, check for leaks and functionality, and confirm if the installation is correct.

铺设管道时

When laying pipelines

- ① 安装阀门时，请务必清洗配管内部。
- ② 异物混入会导致阀门发生漏水。
- ③ 铺设管道时注意不要因配管的压缩、弯曲等而向阀门施加压力。
- ④ 铺设管道时，如果用手拉动，就使螺纹破损及管道脱落而导致药液泄露。
- ⑤ 对于NC、NO型，不加以压力的接口实时开放，若不想因周围环境或其他问题造成阀门吸气或排气时，打开固定螺丝，将配管安装在不会发生问题的场所。
- ① When installing the valve, be sure to clean the inside of the piping. When installing the valve, be sure to clean the inside of the piping. It is recommended to use a filter at the front end of the valve.
- ② Mixing foreign objects can cause water leakage in the valve.
- ③ When laying pipelines, be careful not to apply pressure to valves due to compression, bending, etc. of the piping.
- ④ When laying pipelines, if pulled by hand, it can cause thread damage and pipeline detachment, resulting in liquid leakage.
- ⑤ For NC and NO models, the interface without pressure is opened in real time. If you do not want the valve to be aspirated or vented due to surrounding environment or other issues, open the fixing screws and install the piping in a place where there will be no problems.

先导端口

Pilot port

- ① 先导端口连接扭矩请参考阀门粘贴标签，如果没有标签，请用手锁紧后，使用锁紧工具再拧四分之一圈。
- ② 如果用力过度，会导致损坏。
- ③ 压缩空气被污染，会导致运行不良。
- ① Please refer to the valve label for the connection torque of the Pilot port. If there is no label, please tighten it by hand and then use the locking tool to tighten it by an additional quarter of a turn.
- ② If excessive force is applied, it can cause damage.
- ③ Contamination of compressed air can lead to poor operation.

因以下原因发生的故障，与保修期无关都会收费维修。

- Any malfunctions that occur due to the following reasons, regardless of the warranty period, will be repaired at a cost.
- ① 保修期结束后的故障和损坏。
 - ② 因操作不当而发生的使用方面的问题。
 - ③ 因顾客进行不当的修理及改造而造成的故障和损坏。
 - ① Malfunctions and damages after the end of the warranty period.
 - ② Usage issues caused by improper operation.
 - ③ Malfunctions and damages caused by improper repairs and modifications by customers.

阀门压力及温度注意事项 Precautions for valve pressure and temperature

药液使用温度注意事项 Precautions for temperature of liquid medicine usage

1	因大部分的液体都是一些化学液体的混合物，无法掌握一切所发生的影响效果 Due to the fact that most liquids are mixtures of chemical liquids, it is not possible to grasp all the effects that occur	<p>★ 使用在纯物质以外的物质时，需要使用者确认是否适合此项作业内容，产品本身是无法保证使用上的性能</p> <p>When using substances other than pure substances, users need to confirm whether they are suitable for this task. The product itself cannot guarantee its performance in use</p>
2	含氢氟酸或氢氟酸的药液使用温度范围为5~80℃ BY-PASS type 不能应用于含氢氟酸或氢氟酸的药液。 The temperature range for the use of drugs containing hydrofluoric acid or hydrofluoric acid is 5~80 °C BY-PASS type cannot be applied to liquids containing hydrofluoric acid or hydrofluoric acid.	
3	硫酸+过氧化氢的药液使用温度范围在100℃以下。 The temperature range for the use of sulfuric acid+hydrogen peroxide solution is below 100 °C.	
4	在80℃以上需使用剥离液时，需定期更换阀门。（更换周期为1年1次） When the stripping liquid needs to be used above 80 °C, the valve needs to be replaced regularly. (Replacement cycle is once a year)	

安全及功能预防措施 Safety and functional precautions

1	包含粒子或固体或凝胶化的slurry及UV硬化剂等流体会影响产品功能 Fluids such as slurry and UV hardener containing particles or solid or gel will affect product function
2	使用含有表面活性剂的流体或剥离剂等透射性高的流体时，流体会渗入产品的风险 When using fluids with high transmittance such as surfactants or stripping agents, there is a risk of fluid infiltration into the product
3	传感器不得在与蒸汽、粉尘、腐蚀性气体和化学药品直接接触的环境中使用。 Sensors should not be used in environments that come into direct contact with steam, dust, corrosive gases, and chemicals.

阀系列

VALVE Series

- 03 SM-PA-MF扩口型手动阀
SM-PA-MF expansion type manual valve
- 07 SM-PA-MP入珠型手动阀
SM-PA-MP Ball Type Manual Valve
- 08 SANC-PA-MF扩口型气动阀
SANC-PA-MF expansion type pneumatic valve
- 12 SANC-PA-MP入珠型气动阀
SANC-PA-MP Ball type Pneumatic Valve
- 13 SANC-3PEA-MF扩口型三通气动阀
SANC-3PEA-MF flared three way pneumatic valve
- 17 SANC-PA-MF/UF扩孔型大口径气动阀
SANC-PA-MF/UF enlarged large diameter pneumatic valve
- 19 SM-PA-MF/UF扩孔型大口径手动阀
SM-PA-MF/UF enlarged large diameter manual valve
- 22 CV-1止回阀
CV-1 Check valve

耐酸压力变送器

Acid Proof Pressure Transmitter

- 24 MSP 1000-PE 压力变送器
MSP 1000-PE Pressure Transmitter
- 27 MSP 2000-PE 带一体式
显示器压力变送器
MSP 2000-PE Integral Display
With Pressure Transmitter

管道外管螺纹

Tube to Male pipe thread

- 30 扩口型等径直通接头
Straight union
- 30 扩口型变径直通接头
Straight union reducer
- 31 扩口型等径穿板直通接头
Straight union panel mount
- 31 扩口型变径穿板直通接头
Straight union panel mount reducer

扩口型管对管接头

Tube to Male pipe thread

- 32 扩口型等径三通接头
Union tee
- 32 扩口型变径三通接头
Union reducing tee
- 34 扩口转NPT外螺纹直通接头
Male connector NPT
- 35 扩口型变径扩口转外螺纹弯头
Male elbow (NPT)
- 36 等径扩口弯头 KUE
Male elbow (NPT)
- 36 变径扩口弯头
Union elbow reducer
- 37 扩口PFA螺帽
Flared PFA nut
- 37 NV-13系列超纯PFA针型阀
NV-13 series ultra pure PFA needle valve
- 38 KAG 去离子水喷枪
KAG DI Water Spray Gun
- 38 旋塞手阀
Cock hand valve

入珠型管道外管螺纹

External pipe threads for bead type pipelines

- 39 外螺纹直通
Male connector
- 41 外螺纹弯头
Male elbow
- 43 外螺纹三通
Male tee
- 45 外螺纹侧三通
Male run tee

入珠型管对内螺纹

Ball shaped pipe with internal thread

- 46 内螺纹直通
Female connector
- 48 内螺纹弯头
Female elbow
- 50 内螺纹三通
Female tee

入珠型管对管

Ball shaped tube to tube

- 52 卡套直通
Union connector
- 52 卡套弯头
Union elbow
- 52 卡套三通
Union tee
- 53. 变径卡套直通
Reducing union connector
- 54 变径卡套弯头
Reducing union elbow
- 55 变径卡套三通
Reducing union tee
- 57 面板安装
Panel mount
- 57 面板安装接头
Panel mount union connector
- 58 面板安装变径卡套接头
Panel mount reducing union connector
- 58 面板安装螺母
Panel mount nut

空间装置

Space saver

- 59 卡套直管接头
Union connector adaptor
- 60 卡套弯管接头
Union elbow adaptor
- 61 卡套三通接头
Reducing Union tee adaptor
- 65 弯管接头
Elbow adaptor
- 65 三通接头
Tee adaptor
- 66 插头(套圈类型)
Male connector(ferrule type)

其它

Others

- 67 管帽
Tube cap
- 68 帽套/螺母/套筒
Cap sleeve/Nut/Sleeve

合适的夹具

Fitting Jig

- 69 扩管夹具(特大锁紧型)
Tube expanding jig (mega lock type)
- 69 螺母装配夹具
Nut assembly jig
- 70 PFA管
PFA TUBE

SM-PA-MF

手动阀 (C型)
Manual Valve C Type



技术规范 Specifications

型号Model	SM-PA-MF 008-C	SM-PA-MF 010-C	SM-PA-MF 015-C	SM-PA-MF 020-C	SM-PA-MF 025-C
液体Liquid	化学品, 去离子水 (不要使用泥浆) Chemicals, D.I Water (Don't using the Slurry)				
工作压力Operating Pressure	进In -> 出Out: 5.0 Kg/cm ² (7.0 Kg/cm ²) 出Out -> 进In : 5.0 Kg/cm ² (7.0 Kg/cm ²)				
工作温度Operating Temp.	0 ~ 90 °C				
环境温度Ambient Temp.	0 ~ 40 °C				
连接尺寸Connection Size	1/4"	3/8"	1/2"	3/4"	1/1"
连接类型Connection Type	扩口连接Flare				
功能Function	手动Manual				
孔口Orifice	Φ4	Φ8	Φ10	Φ15	Φ22
功能Funtion	-				
CV值Cv Value	0.32	1.25	1.75	5	9.1

- 注意Notice
- 根据内部化学物质的注意事项, 因产品材质、规格发生变化, 请确认是否合适后再使用
Notice according to inner chemicals, Use it after checking whether to be suitable, because materials and specification of the product change according to chemicals
 - 请勿用于气体 (N₂、AIR 等), 仅用于液体。
Do not use for gas (N₂, AIR, etc.), It is for only liquid.
 - 由于机身材料的特性, 它可能会因震动而损坏
It can be damaged by a shock due to features of the body's material
 - 设置时检查输入输出方向
Check the direction of input and output when setting up

符号 Symbol

SM - PA - MF 008 - C

形式Form
SM: 手动阀
Seba Manual Valve

本体材质Material of Body
PA: PFA
(常用规格Common Specification)
PE: PTFE
PEA: PTFE+PFA

连接类型Connection type

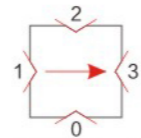
MW: RIW
MF: 公制扩口 Male Flare
MS: 半扩口 Semi Flare
MP: 支柱超级300 Pillar Super300
B: 管道焊接 Pipe Welding
T: 管焊 Tube Welding
FT: 扩口 (进) + 管 (出) Flare(In) + Tube(Out)
TF: 管 (出) + 扩口 (入) Tube(Out) + Flare(In)

选项Option

C: 标准 Standard
H: 高温 High temp
P: 高压 High-Pressure

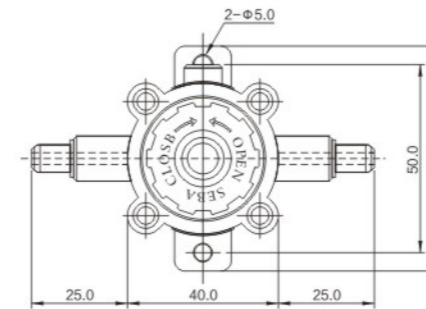
连接管径Connection Tube

008: 1/4"
010: 3/8"
015: 1/2"
020: 3/4"
025: 1/1"

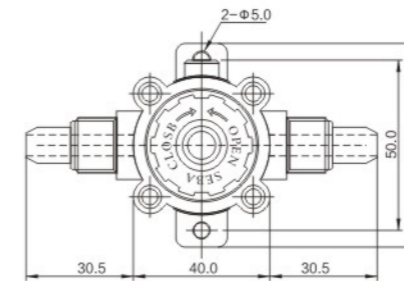
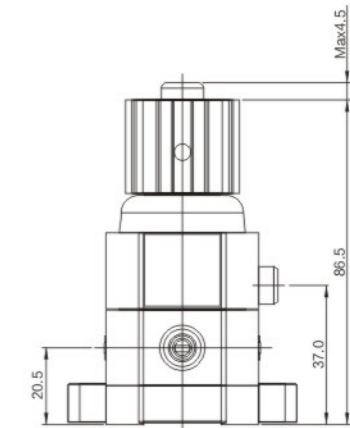
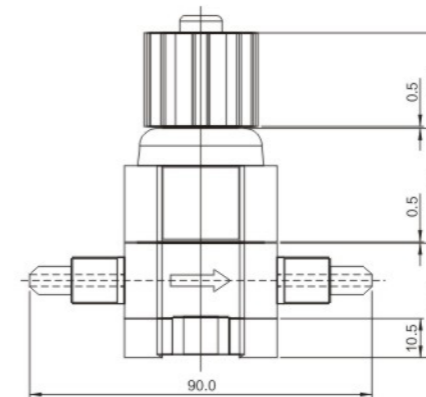


默认0方向, 无记号
Default 0 direction, unmarked

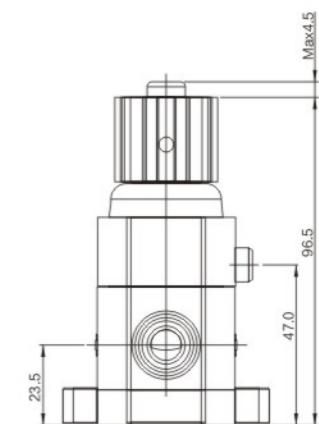
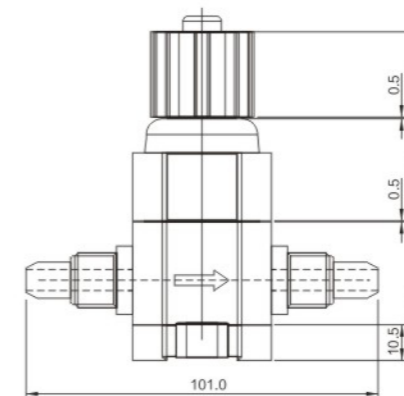
尺寸 Dimension



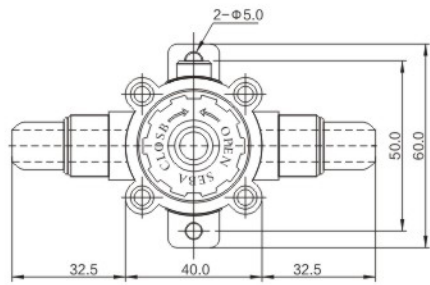
手动阀
1/4" Manual Valve
SM-PA-MF008-C



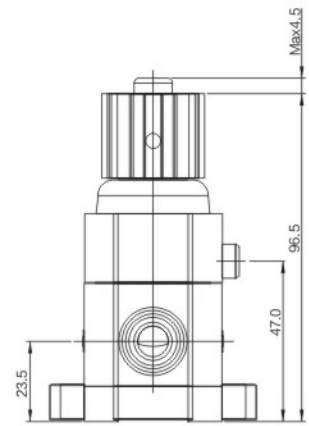
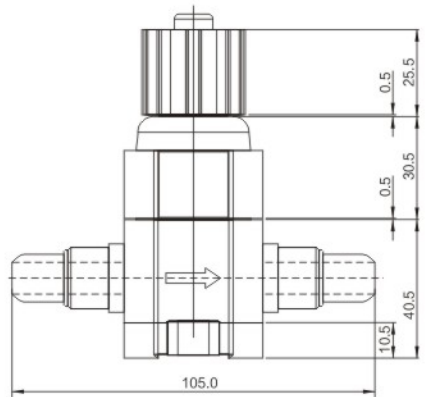
手动阀
3/8" Manual Valve
SM-PA-MF010-C



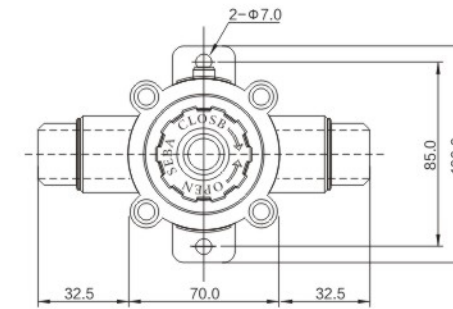
尺寸 Dimension



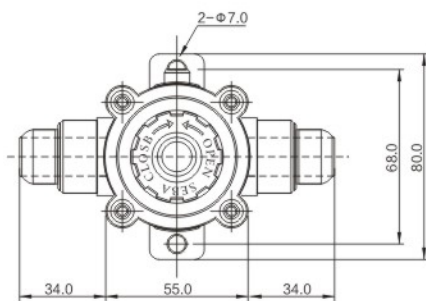
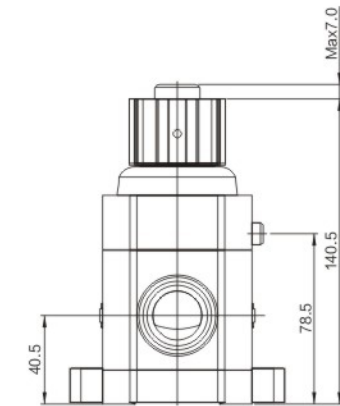
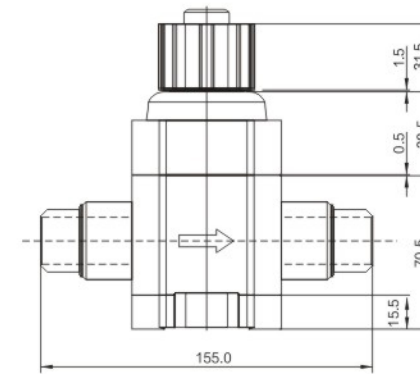
手动阀
1/2" Manual Valve
SM-PA-MF015-C



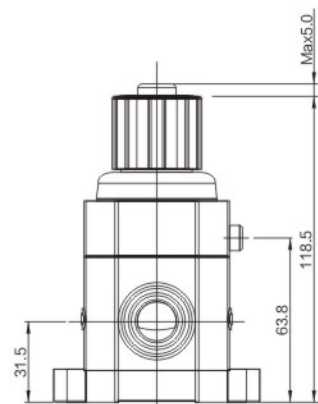
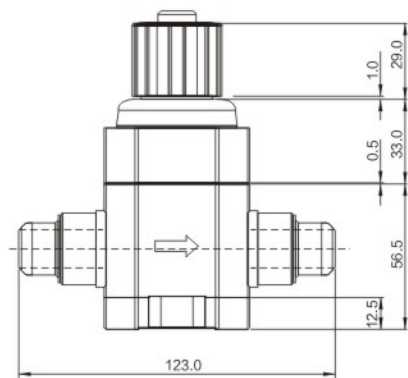
尺寸 Dimension



手动阀
1/1" Manual Valve
SM-PA-MF025-C



手动阀
3/4" Manual Valve
SM-PA-MF020-C



SM-PA-MP

手动阀 (C型)
Manual Valve C Type



技术规范 Specifications

型号Model	SM-PA-MP008	SM-PA-MP010	SM-PA-MP015	SM-PA-MP020	SM-PA-MP025
液体Fluid	化学品, 去离子水 (不要使用泥浆) Chemicals, D.I Water (Don't using the Slurry)				
操作类型Operating Type	手动Manual				
工作压力Operating Pressure	5~7Kgf/cm ²				
工作温度Operating Temp	0~60℃ 0~110℃ 0~120℃				
本体材质Material of Body	阀体/Body:PFA 隔膜/Diaphragm:PTFE				
连接类型Connection Type	支柱超级3000型/Pillar super 3000 type				
连接尺寸Connection Size	1/4"	3/8"	1/2"	3/4"	1/1"
Cv(系数阀/Coefficient valve)	0.32	1.25	1.75	5	9.1
压力Pressure Port	Rc1/8				
端口作用Function	on-off				
使用寿命Service life	2000000 周期Cycle				

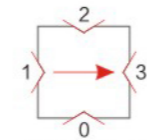
符号 Symbol

SM - PA - MP 008 - C

形式Form
SM:手动阀
SebaManual Valve

本体材质Material of Body
PA:PFA
(常用规格Common Specification)
PE:PTFE
PEA:PTFE+PFA

连接类型Connection type
MW:RIW
MF:公制扩口Male Flare
MS:半扩口Semi Flare
MP:支柱超级3000Pillar Super300
B:管道焊接Pipe Welding
T:管焊Tube Welding
FT:扩口 (进)+管 (出) Flare(In)+Tube(Out)
TF:管 (出)+扩口 (入) Tube(Out)+Flare(In)



默认0方向, 无记号
Default 0 direction, unmarked

选项Option
C:标准Standard
H:高温High temp
P:高压High-Pressure

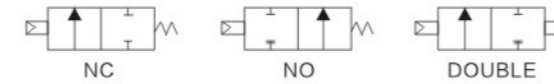
连接管径Connection Tube
008:1/4"
010:3/8"
015:1/2"
020:3/4"
025:1/1"

SANC-PA-MF

气动阀 (开关)
Auto Valve(On-Off)



符号 Symbol



技术规范 Specifications

型号Model	SANC-PA-MF008-A-0 SANO-PA-MF008-0	SANC-PA-MF010-A-0 SANO-PA-MF010-0	SANC-PA-MF015-A-0 SANO-PA-MF015-0	SANC-PA-MF020-A-0 SANO-PA-MF020-0	SANC-PA-MF025-A-0 SANO-PA-MF025-0
液体Liquid	化学品, 去离子水 (不要使用泥浆) Chemicals, D.I Water (Don't using the Slurry)				
工作压力Operating Pressure	3.0 Kgf/cm ² / 5.0 Kgf/cm ² / 7.0 Kgf/cm ²				
气压Pneumatic Pressure	3.5 ~ 4.5 Kgf/cm ² / 4.5 ~ 6.0Kgf/cm ² / 6.0 ~ 8.0Kgf/cm ²				
工作温度Operating Temp.	0 ~ 90 °C / 0 ~ 150 °C				
环境温度Ambient Temp.	0 ~ 40 °C / 0 ~ 60 °C				
连接尺寸Connection Size	1/4"	3/8"	1/2"	3/4"	1/1"
连接类型Connection Type	扩口连接Flare				
操作Operating	双作用Double				
操作模式Operating Mode	常闭 (NC) / 常开 (NO) Normal Close(NC) / Normal Open(NO)				
孔口Orifice	Φ4	Φ8	Φ10	Φ15	Φ22
压力端口Pressure Port	RC 1/8				
功能Function	开关On-Off				
CV值Cv Value	0.32	1.25	1.75	5	9.1
注意Notice	<ul style="list-style-type: none"> - 根据内部化学物质的注意事项, 因产品材质、规格发生变化, 请确认是否合适后再使用 Notice according to inner chemicals, Use it after checking whether to be suitable, because materials and specification of the product change according to chemicals - 请勿用于气体 (N₂, AIR 等), 仅用于液体。 Do not use for gas(N₂,AIR,etc.),It is for only liquid. - 由于机身材料的特性, 它可能会因震动而损坏 It can be damaged by a shock due to features of the body's material - 设置时检查输入输出方向 Check the direction of input and output when setting up 				

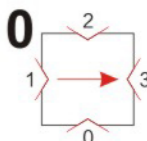
符号 Symbol

SANC - PA - MF 008 - A - 0

形式Form
SANC:常闭阀
SebaAuto normal Close Valve
SANO:常开阀
SebaAuto normal Open Valve

本体材质Material of Body
PA:PFA
(常用规格Common Specification)
PE:PTFE
PEA:PTFE+PFA

连接类型Connection type
MW:RIW
MF:公制扩口Male Flare
MS:半扩口Semi Flare
MP:支柱超级3000Pillar Super300
B:管道焊接Pipe Welding
T:管焊Tube Welding
FT:扩口 (进)+管 (出) Flare(In)+Tube(Out)
TF:管 (出)+扩口 (入) Tube(Out)+Flare(In)

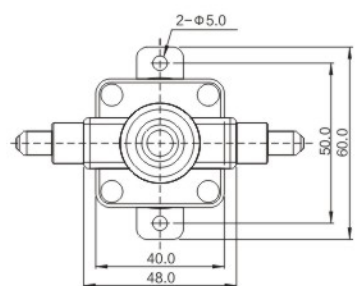


默认0方向, 无记号
Default 0 direction, unmarked

选项Option
A-0:标准Standard
H-0:高温High temp
P-0:高压High-Pressure
A-1:调整Adjustment
A-2:并联By-Pass
A-3:调整+并联Adjustment+By-Pass

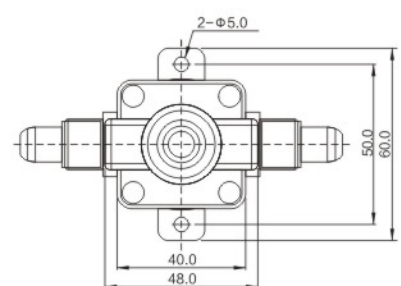
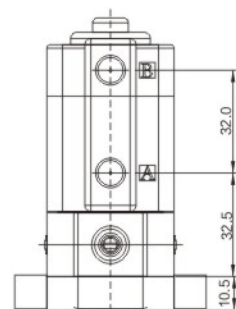
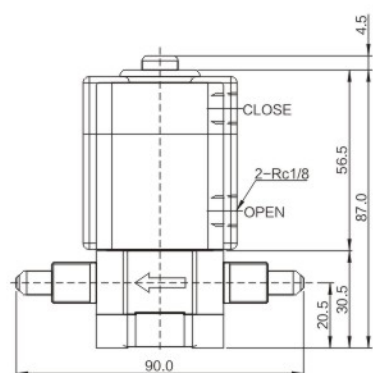
连接管径Connection Tube
008:1/4"
010:3/8"
015:1/2"
020:3/4"
025:1/1"

尺寸 Dimension



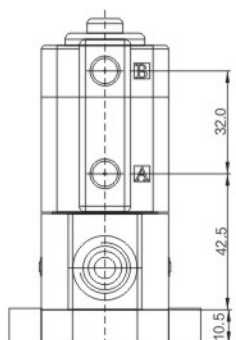
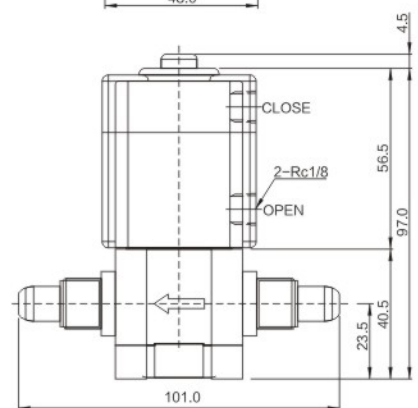
气动阀
1/4" AUTO Valve

SANO
SANC -PA-MF008-A-0

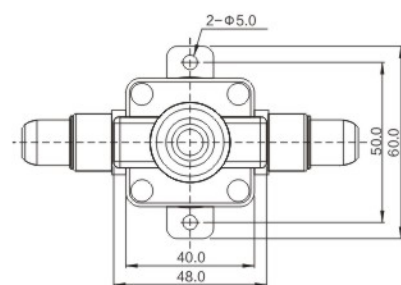


气动阀
3/8" AUTO Valve

SANO
SANC -PA-MF010-A-0

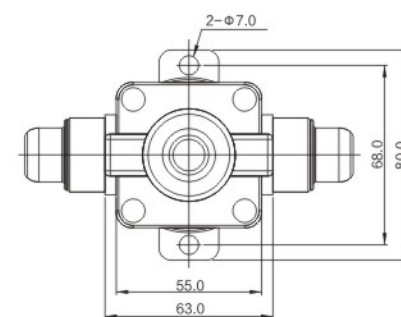
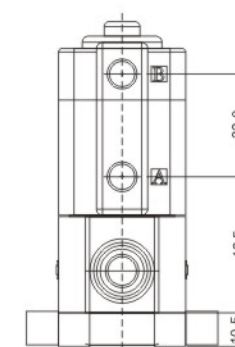
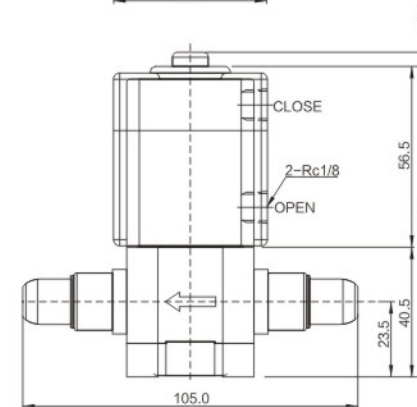


尺寸 Dimension



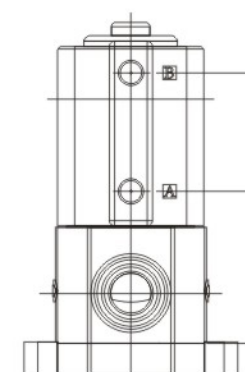
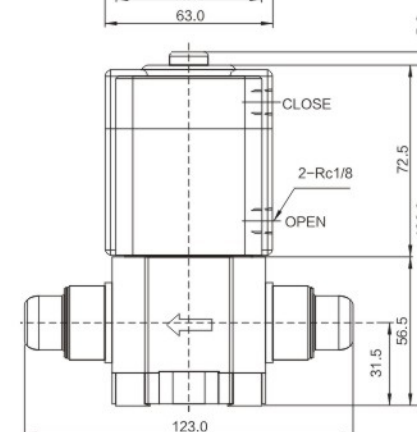
气动阀
1/2" AUTO Valve

SANO
SANC -PA-MF015-A-0

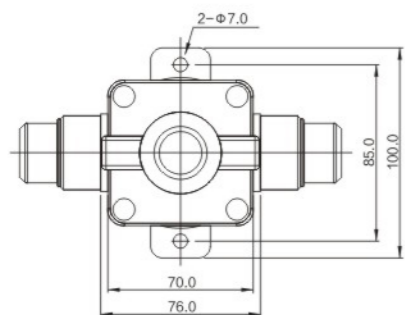


气动阀
3/4" AUTO Valve

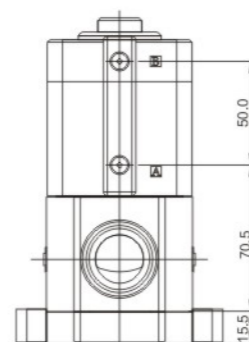
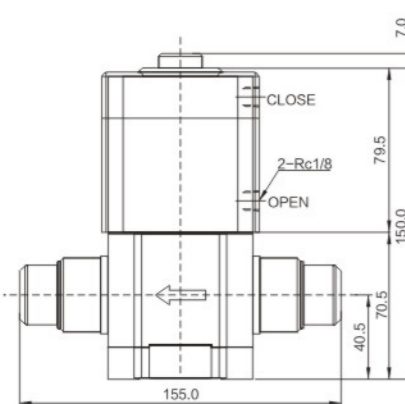
SANO
SANC -PA-MF020-A-0



尺寸 Dimension



气动阀
1/1" AUTO Valve
SANO
SANC -PA-MF025-A-0



SANC-PA-MP

气动阀 (开关)
Auto Valve(On-Off)



技术规范 Specifications

型号Model	SANC-PA-MP008	SANC-PA-MP010	SANC-PA-MP015	SANC-PA-MP020	SANC-PA-MP025
液体Fluid	化学品, 去离子水 (不要使用泥浆) Chemicals, D.I Water (Don't using the Slurry)				
工作压力Operating Pressure	5~7Kgf/cm ²				
气动压力Pneumatic Pressure	4.5~6Kgf/cm ²				
工作温度Operating Temp	0~60℃ 0~110℃ 0~120℃				
本体材质Material of Body	阀体/PFA Body: PFA 隔膜/Diaphragm: PTFE				
连接类型Connection Type	支柱超级3000型/Pillar super 3000 type				
连接尺寸Connection Size	1/4"	3/8"	1/2"	3/4"	1/1"
Cv(系数阀/Coefficient valve)	0.32	1.25	1.75	5	9.1
频率Frequency	30循环/分钟或更短min or less			20循环/分钟或更短min or less	
压力Pressure Port	Rc1/8				
端口作用Function	on-off				
使用寿命Service life	2000000 周期Cycle				

符号 Symbol

SANC - PA - MP 008 - A - 0

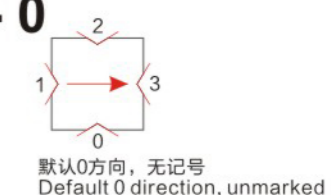
形式Form
SANC:常闭阀
SebaAuto normal Close Valve
SANO:常开阀
SebaAuto normal Open Valve

本体材质Material of Body
PA:PFA
(常用规格Common Specification)
PE:PTFE
PEA:PTFE+PFA

连接类型Connection type
MW:RIW
MF:公制扩口Male Flare
MS:半扩口Semi Flare
MP:支柱超级300Pillar Super300
B:管道焊接Pipe Welding
T:管焊Tube Welding
FT:扩口(进)+管(出) Flare(In)+Tube(Out)
TF:管(出)+扩口(入) Tube(Out)+Flare(In)

选项Option
A-0:标准Standard
H-0:高温High temp
P-0:高压High-Pressure
A-1:调整Adjustment
A-2:并联By-Pass
A-3:调整+并联Adjustment+By-Pass

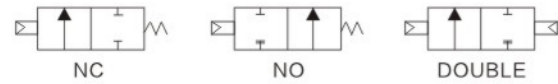
连接管径Connection Tube
008:1/4"
010:3/8"
015:1/2"
020:3/4"
025:1/1"



SANC-3PEA-MF

气动阀 (开关, 3通)
Auto Valve(On-Off, 3 way)

符号Symbol

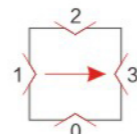


技术规范 Specifications

型号Model	SANC-3PEA-MF 008-A-0	SANC-3PEA-MF 010-A-0	SANC-3PEA-MF 015-A-0	SANC-3PEA-MF 020-A-0	SANC-3PEA-MF 025-A-0
液体Liquid	化学品、去离子水 Chemicals, D.I Water				
工作压力Operating Pressure	3.0 Kgf/cm ² / 5.0 Kgf/cm ²				
气压Pneumatic Pressure	3.5 ~ 4.5 Kgf/cm ² / 4.5 ~ 6.0Kg/cm ²				
工作温度Operating Temp.	0 ~ 90 °C				
环境温度Ambient Temp.	0 ~ 40 °C				
连接尺寸Connection Size	1/4"	3/8"	1/2"	3/4"	1/1"
连接类型Connection Type	扩口连接Flare				
操作Operating	双作用Double				
操作模式Operating Mode	常闭 (NC) / 常开 (NO) Normal Close(NC) / Normal Open(NO)		常闭 (NC) Normal Close(NC)		
孔口Orifice	Φ4	Φ8	Φ10	Φ15	Φ22
压力端口Pressure Port	RC 1/8				
功能Function	开关On-Off				
CV值Cv Value	0.32	1.25	1.75	5	9.1
注意Notice	- 根据内部化学物质的注意事项, 因产品材质、规格发生变化, 请确认是否合适后再使用 Notice according to inner chemicals, Use it after checking whether to be suitable, because materials and specification of the product change according to chemicals - 请勿用于气体 (N2、AIR 等), 仅用于液体。 Do not use for gas(N2,AIR,etc.),It is for only liquid. - 由于机身材料的特性, 它可能会因震动而损坏 It can be damaged by a shock due to features of the body's material - 设置时检查输入输出方向 Check the direction of input and output when setting up				

符号 Symbol

SANC - 3PEA - MF 008 - A - 0



默认0方向, 无记号
Default 0 direction, unmarked

形式Form
SANC:常闭阀
SebaAuto normal Close Valve
SANO:常开阀
SebaAuto normal Open Valve

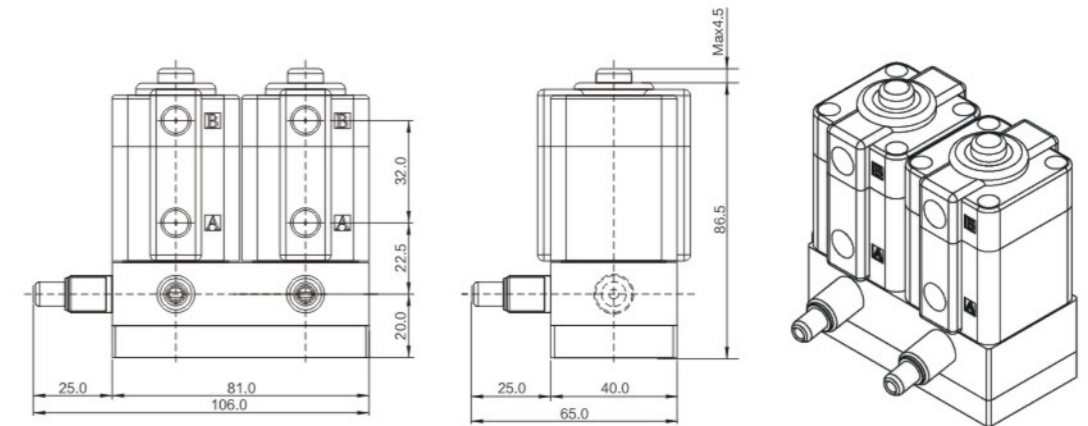
本体材质Material of Body
PA:PFA
(常用规格Common Specification)
PE:PTFE
PEA:PTFE+PFA

连接类型Connection type
MW:RIW
MF:公制扩口Male Flare
MS:半扩口Semi Flare
MP:支柱超级300Pillar Super300
B:管道焊接Pipe Welding
T:管焊Tube Welding
FT:扩口 (进) +管 (出) Flare(In)+Tube(Out)
TF:管 (出) +扩口 (入) Tube(Out)+Flare(In)

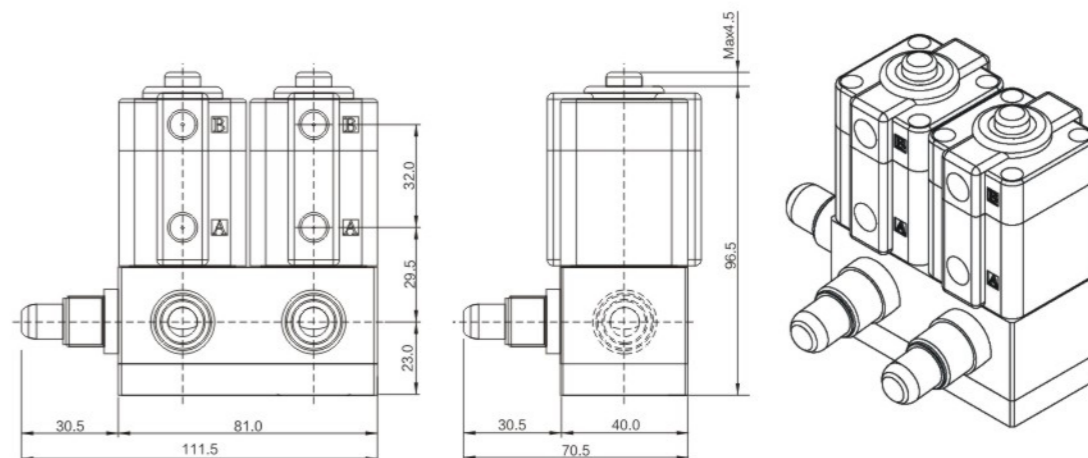
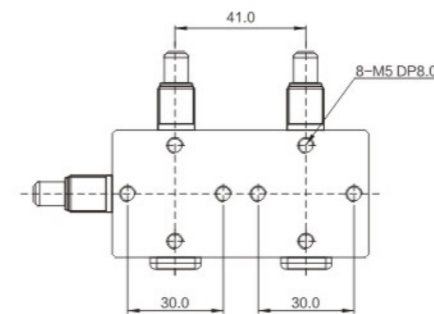
选项Option
A-0:标准Standard
H-0:高温High temp
P-0:高压High-Pressure
A-1:调整Adjustment
A-2:并联By-Pass
A-3:调整+并联Adjustment+By-Pass

连接管径Connection Tube
008:1/4"
010:3/8"
015:1/2"
020:3/4"
025:1/1"

尺寸 Dimension

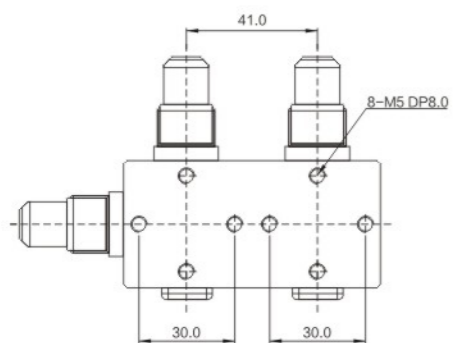
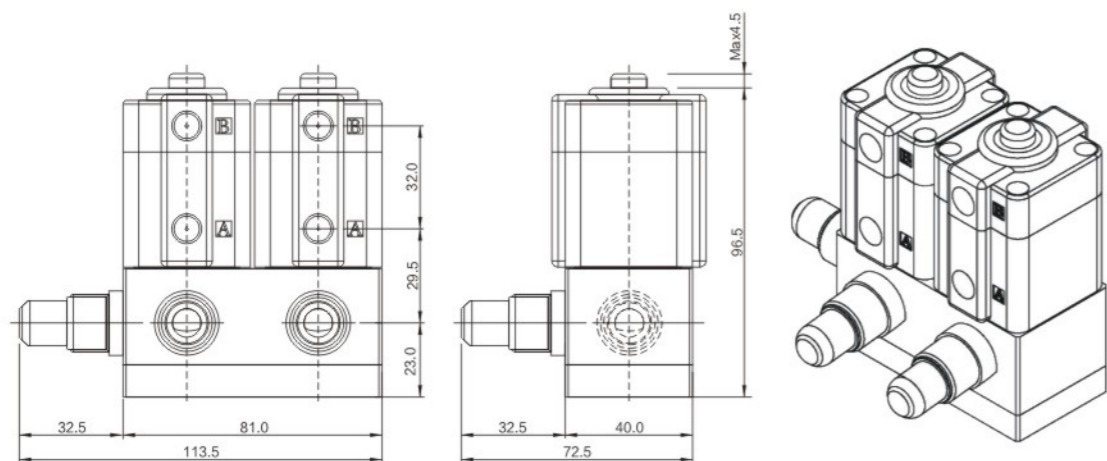


三通气动阀
3Way Auto Valve
SANC-3PEA-MF008-A-0



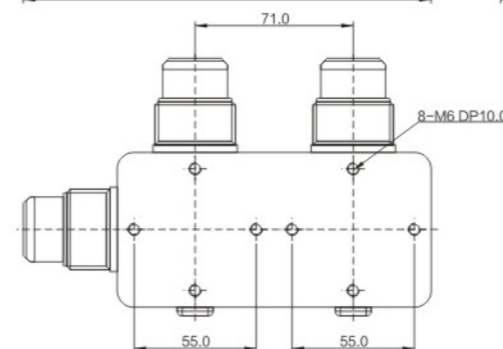
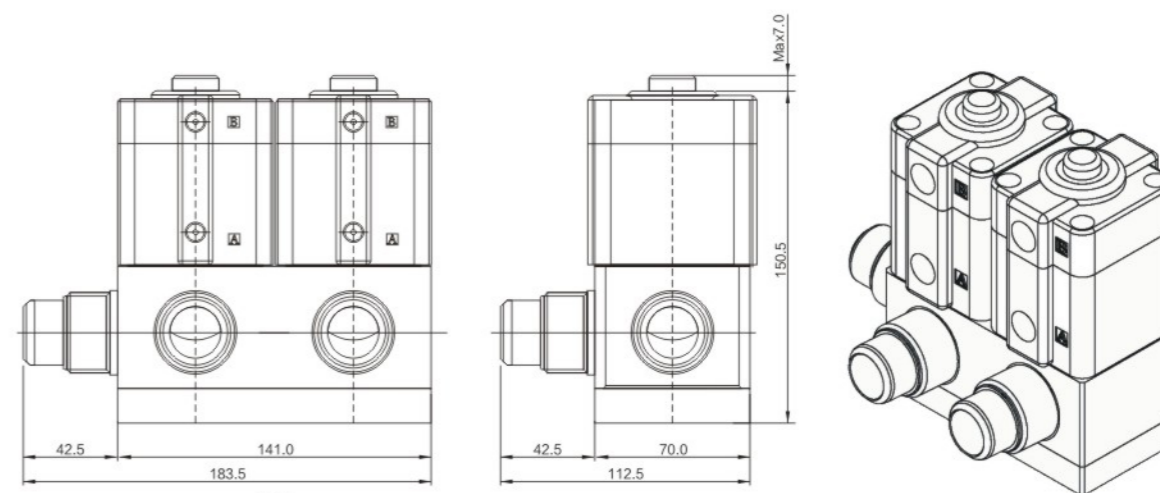
三通气动阀
3Way Auto Valve
SANC-3PEA-MF010-A-0

尺寸 Dimension

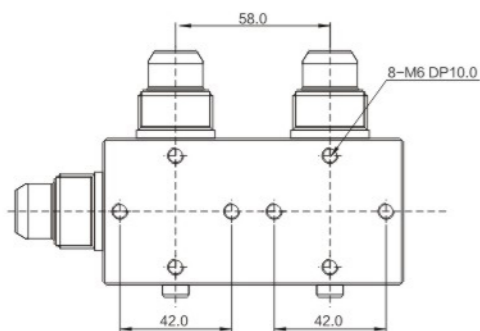
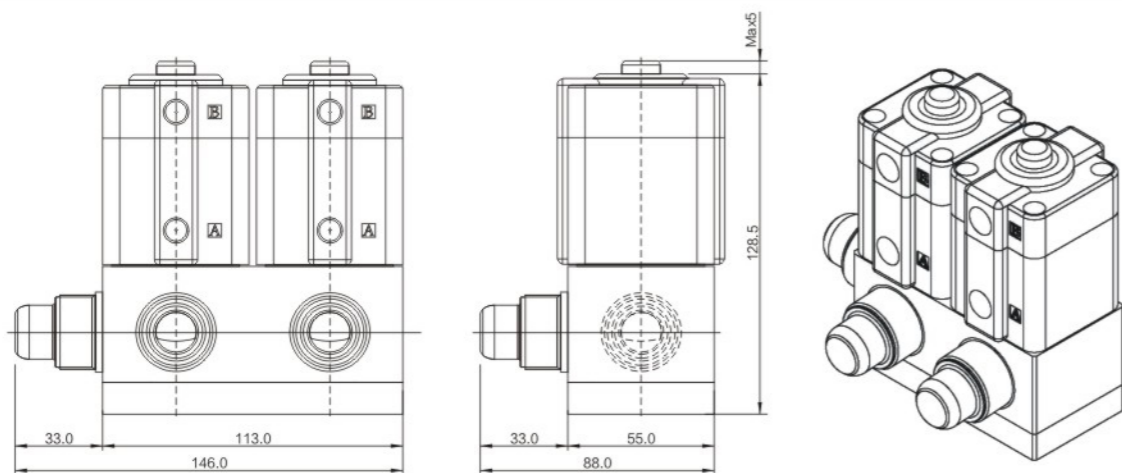


三通气动阀
3Way Auto Valve
SANC-3PEA-MF015-A-0

尺寸 Dimension



三通气动阀
3Way Auto Valve
SANC-3PEA-MF025-A-0



三通气动阀
3Way Auto Valve
SANC-3PEA-MF020-A-0

PFA Chemical Valves

自动阀、手动阀。配件系列
Auto Valves, Manual Valves. Fitting Series

SEBA的 Pneumatic Chemical Valves是专门针对高纯度半导体产品生产线设计的,同时对于有超强渗透性药液及有机和无机用种类的化学药品也是完全可以适用的。只用fluoroplastics生产制造特别适合于输送高纯度化学药液的排管,充分考虑安全问题提高防止泄漏性能并具有规格范围内最大的流量值的产品。阀门组装及零件组装时杜绝使用腐蚀性材质最大程度保持密封性及变形最小化设计的而成。

SEBA's Pneumatic Chemical Valves are specifically designed for high-purity semiconductor product production lines, At the same time, it is also fully applicable to chemical drugs with strong permeability and organic and inorganic types. Using only fluoroplastics to produce and manufacture discharge pipes that are particularly suitable for transporting high-purity chemical liquids, fully considering safety. A product that improves leak prevention performance and has the maximum flow value within the specification range. When assembling valves and components, it is designed to prevent the use of corrosive materials to maintain maximum sealing and minimize deformation.



技术规范 Specifications

尺寸 Size	1/4"~1"Standard I, 1.1/4"~2"(Big Size)
工作压力/温度 Working pressure/temperature	7kgf/cm ² , D-90°C(一般用)
主体材质 Material	PFA
Diaphragm材质 material quality	PTFE
链接方式 Link Method	Ultra 100 Flare, Pipe
操作 Operate	Auto Operated, Manually Operated
主体-链接方式 Principal Link Method	2-Way body

大尺寸系列 Big Size Series



Auto Valve
[1.1/4" 2"/40A~50A]



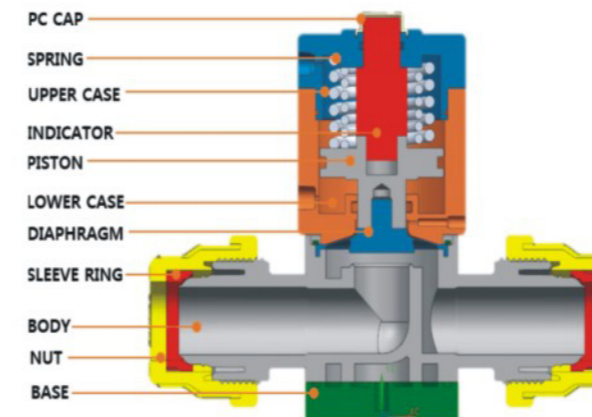
Manual Valve
[1.1/4" 2"/40A~50A]

Torque Wrench Series

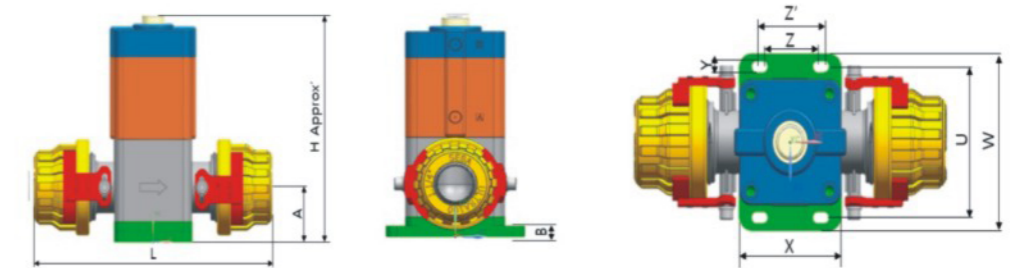
自动阀 (标准尺寸)
Auto Valve(Standard size)

规格/零件技术规范 Specification / Parts

项目 Contents	1.1/4"
孔口 Orifice	28.0
CV-MAX值 Coefficient Valve	16.0
连接方式 Connection Type	Flare Type(MF Flare)
气压(kgf/cm) Pneumatic Pressure	5.0
使用流体 Fluid	chemicals, D.I-Water
流体压力(kgf/cm ²) Operating Pressure	7.0
流体温度(°C) Operating Temp	0~90
环境温度(°C) Ambient Temp	0~40
功能/操作方法 Function/Operating Type	On-Off(开-关)/RC1/8" [PT(-)]
液体接触部材质 Material	Body:PFA/Diaphragm:PTFE

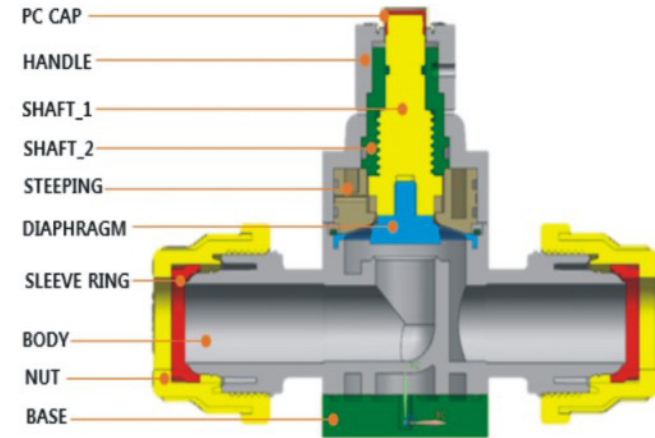


尺寸 Dimension



配件类型 Fitting Type	零件号 PartName	A	B	H	L	U	W	X	Y	Z	Z'
MF Flare(L)	SANC-PA-MF1.1/4-A-0	40	8	166.5	228	90	105	75	7	40	50

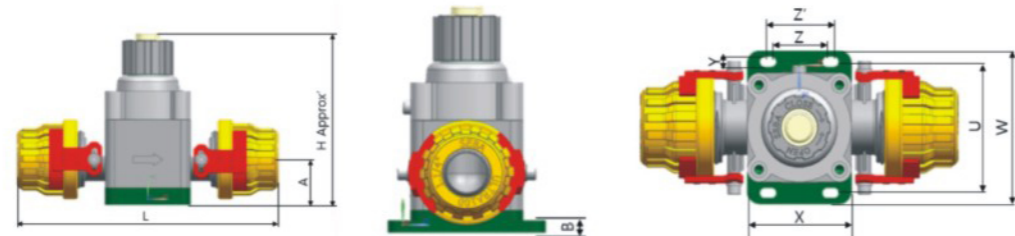
手动阀 (标准尺寸)
Manual Valve(Standard size)



规格/零件技术规范 Specification / Parts

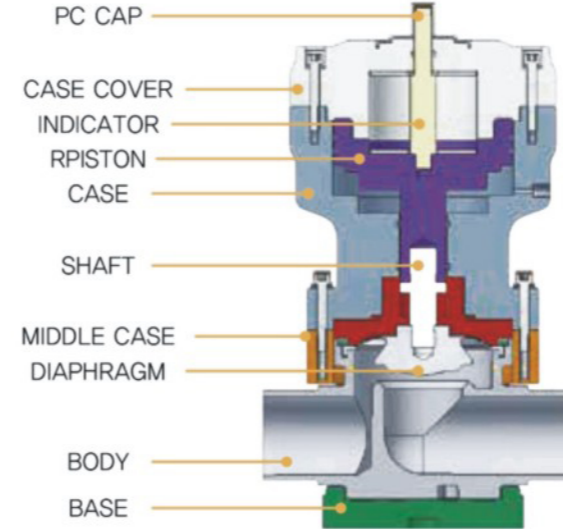
项目 Contents	1.1/4"
孔口 Orifice	28.0
CV-MAX值 Coefficient Valve	16.0
连接方式 Connection Type	Flare Type(MF Flare)
使用流体 Fluid	chemicals,D.I-Water
流体压力(kgf/cm ²) perating Pressure	7.0
流体温度(°C) Operating Temp	0~90
环境温度(°C) Ambient Temp	0~40
功能/操作方法 Function/Operating Type	On-Off(开-关)/RC1/8" [PT(-)]
液体接触部材质 Material	Body:PFA/Diaphragm:PTFE

尺寸 Dimension



配件类型 Fitting Type	零件号 PartName	A	B	H	L	U	W	X	Y	Z	Z'
MF Flare(L)	SM-PA-MF1.1/4-A-C	40	8	152	228	90	105	75	7	40	50

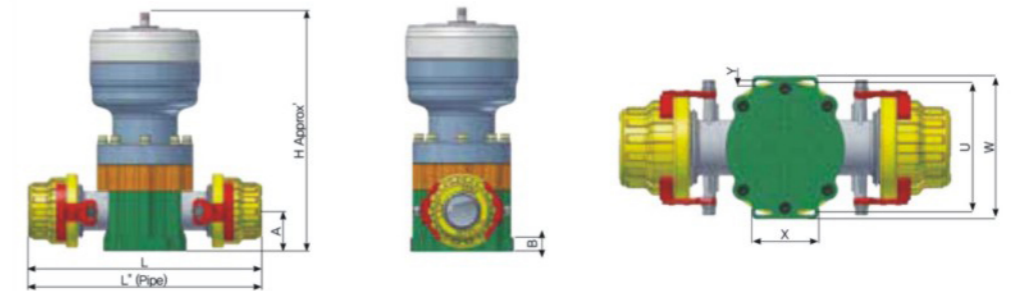
自动阀 (标准尺寸)
Auto Valve(Standard size)



规格/零件技术规范 Specification / Parts

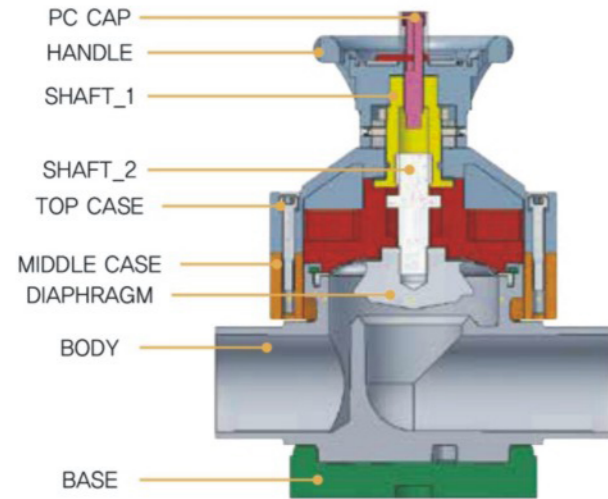
项目 Contents	1.1/4"	1.1/2"	2"	40A	50A
孔口 Orifice	28.0	33.0	47.0	40.0	52.0
CV-MAX值 Coefficient Valve	16.0	23.0	45.0	40.0	60.0
连接方式 Connection Type	扩口连接 Flare Type(Ultra100 Flare)		管道连接 Pipe Type		
工作压力(kgf/cm ²) Pneumatic Pressure	5.0	6.0			
使用流体 Using fluids	化学品, D.I-水 Chemicals,D.I-Water				
流体压力(kgf/cm ²) Fluid pressure	7.0				
流体温度(°C) Fluid temperature	0~90				
环境温度(°C) Environmental temperature	0~40				
功能/动作接口 Function/Action Interface	On-Off(开-关)/RC1/8" [PT(-)]				
液体接触部材质 Liquid contact material	Body:PFA/Diaphragm:PTFE				

尺寸 Dimension



配件类型 Fitting Type	零件号 PartName	A	B	H	L	(L")	U	W	X	Y
Ultra100 Flare(L)	SANC-PA-UF1.1/2-A-0	43	15	256	249	-	105.8	120	53	6.3
	SANC-PA-UF2/1-A-0	63	23	352	343	-	153.7	174	80	8.3
管道Pipe (L")	SANC-PA-B040-A-0	63	23	352	-	214	153.7	174	80	8.3
	SANC-PA-B050-A-0	63	23	352	-	214	153.7	174	80	8.3

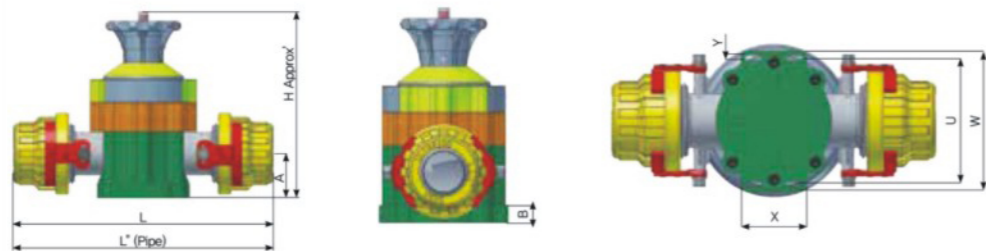
手动阀 (标准尺寸) Manual Valve(Standard size)



规格/零件技术规范 Specification / Parts

项目 Contents	1.1/4"	1.1/2"	2"	40A	50A
孔口 Orifice	28.0	33.0	47.0	40.0	52.0
CV-MAX值 Coefficient Valve	16.0	23.0	45.0	40.0	60.0
连接方式 Connection Type	扩口连接 Flare connection		管道连接 Pipe connection		
使用流体 Using fluids	化学液体, 纯水 Chemical liquid, pure water				
流体压力(kgf/cm ²) Fluid pressure	7.0				
流体温度(°C) Fluid temperature	0~90				
环境温度(°C) Environmental temperature	0~40				
功能/动作接口 Function/Action Interface	On-Off(开-关)/RC1/8" [PT(-)]				
液体接触部材质 Liquid contact material	Body:PFA/Diaphragm:PTFE				

尺寸 Dimension



配件类型 Fitting Type	零件号 PartName	A	B	H	L	(L")	U	W	X	Y
Ultra100 Flare(L)	SM-PA-UF1.1/2-C	43	15	180	249	-	105.8	120	53	6.3
	SM-PA-UF2/1-C	63	23	264	343	-	153.7	174	80	8.3
管道Pipe (L")	SM-PA-B040-C	63	23	264	-	214	153.7	174	80	8.3
	SM-PA-B050-C	63	23	264	-	214	153.7	174	80	8.3

CV-1

止回阀 Check valve

CV-1PTFE止回阀专为高纯度半导体应用而设计, 也是超纯水和侵蚀性化学或气体应用的理想选择。该设计采用机加工的PTFE组件, 提供卓越的耐化学性和纯度, 而不需要O形密封圈。机加工的PTFE弹簧允许低开裂压力操作和最小的背压重新密封。

The CV-1PTFE check valve is designed specifically for high-purity semiconductor applications and is also an ideal choice for ultra pure water and corrosive chemical or gas applications. This design uses machined PTFE components to provide excellent chemical resistance and purity without the need for O-ring seals. Machined PTFE springs allow for low cracking pressure operation and minimal back pressure resealing.



特征 Feature

抛光密封面。
Polish the sealing surface.

齿槽式外密封。
Toothed groove type external seal.

机加工PTFE弹簧。
Machined PTFE springs.

许多端配置可用, 包括Parflare。
可与不同的配置在任何一端。
Many end configurations are available, including Parflare.
Can be configured with different configurations at any end.

优点 Advantage

寿命长, 密封性能优越。
Long service life and superior sealing performance.

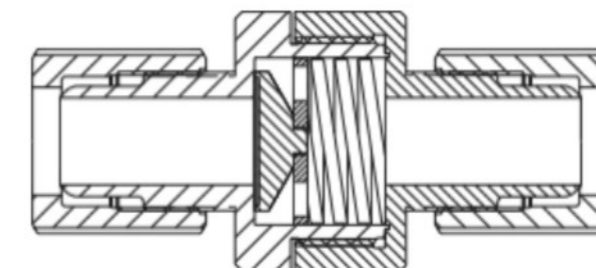
消除了O环和兼容性问题。
Eliminated O-ring and compatibility issues.

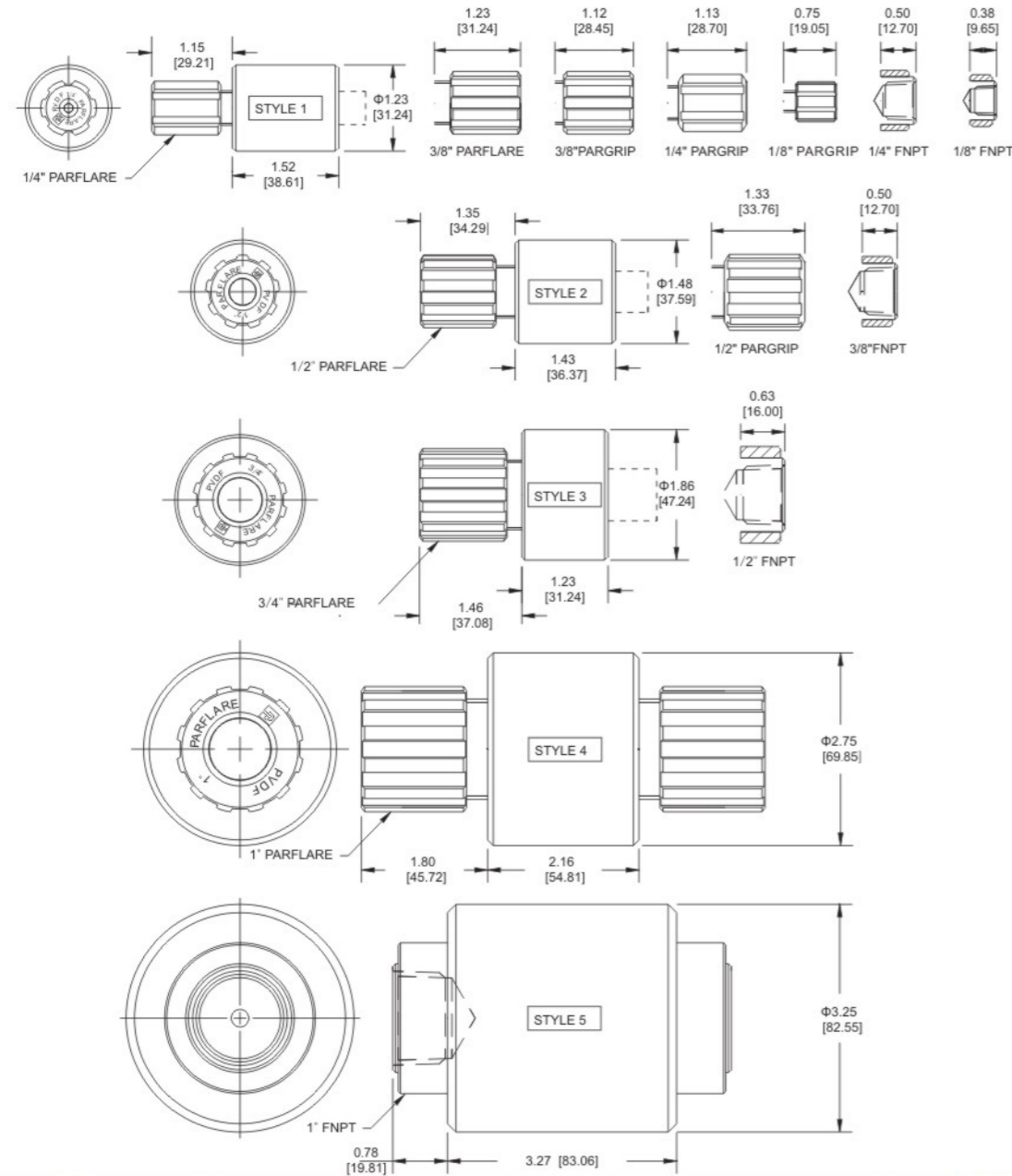
低开裂压力。
Low cracking pressure.

减少连接、安装空间和总成本。
Reduce connection, installation space, and total cost.

产品说明 Description

产品材质ProductMaterial	润湿Wetted:PTFE 非润湿Non-wetted: PFA, PVDF, ETFE		
压力范围Pressurerange	0.25 PSIG (.017 bar)-0.75 PSIG (.052 bar)		
反向止回压力Reversecheckpressure	5.0 PSIG (.35 bar)		
压力范围Pressurerange	27" Hg vacuum (913 mbar)-120 PSIG (8.3 bar)		
环境温度Environmental temperature	1&0:0~100°C	2&3:10°C~100°C	4&5:15°C~100°C
使用温度Operating temperature	1&2&3:10°C~130°C	4&5:15°C~130°C	





型号 Model	CV	KV	Style	配管尺寸 Piping Size
CV-1-1122	0.61	8.78	1	1/8"FNPT
CV-1-1144	1.51	21.74	1	1/4"FNPT
CV-1-1166	2.43	35.00	2	3/8"FNPT
CV-1-1188	4.22	60.77	3	1/2"FNPT
CV-1-111616	14.00	201.6	5	1"FNPT
CV-1-2222	0.02	0.29	1	1/8"Pargrip
CV-1-2244	0.34	4.90	1	1/4"Pargrip
CV-1-2266	0.98	14.11	1	3/8"Pargrip
CV-1-2288	2.17	31.25	2	1/2"Pargrip
CV-1-6644	0.26	3.74	1	1/4"Parflare
CV-1-6666	1.11	15.84	1	3/8"Parflare
CV-1-6688	2.03	29.23	2	1/2"Parflare
CV-1-661212	4.13	59.47	3	3/4"Parflare
CV-1-661616	11.85	170.6	4	1"Parflare

河选配备PFA螺母。资料上配置PVDF螺母。对于PFA螺母，在型号上加-T。
The river is equipped with PFA nuts as an option. Information. Equipped with PVDF nuts. For PFA nuts, add-T

MSP 1000-PE-MF1/4-8K-D24

压力变送器
Pressure Transmitter

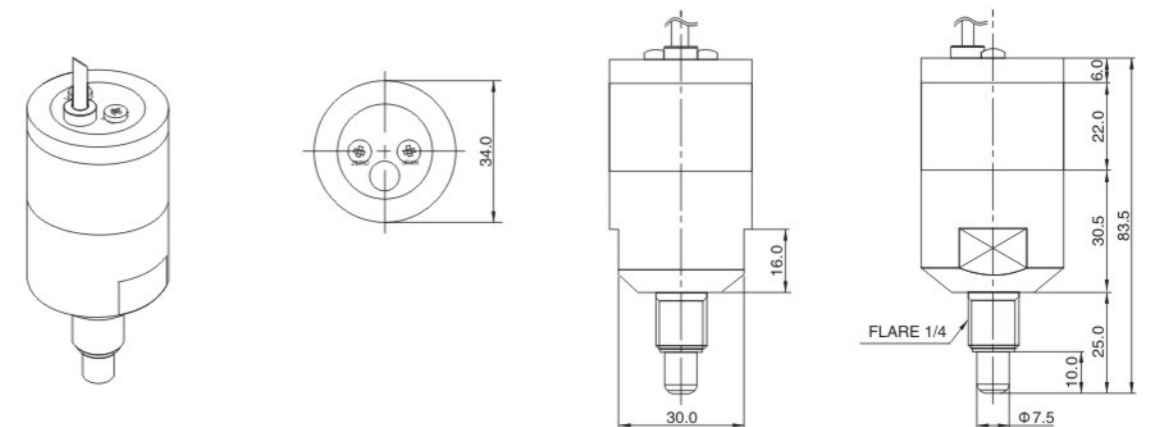


技术规范 Specifications

型号 MODEL		MSP 1000-PE-MF1/4-8K-D24
名称 Name	1/4" 压力变送器 Pressure Transmitter	
流体 Fluid	化学品 Chemicals, 去离子水 D.I Water	
条件 Condition	工作压力 Operating Pressure	0~0.8Mpa (0~8Kgf/cm ²)
	工作温度 Operating Temperature	0~120℃
	储存温度 Storage Temperature	-10~80℃
	连接类型 Connection Type	外螺纹管连接 Male Flare
	连接尺寸 Connection Size	1/4"
	显示类型 Display Type	无显示 Non Display
	电缆 Cable	3m (标准 Standard)
控制器 Controller	准确 Accuracy	± 0.5% F.S
	可重复性 Repeatability	± 0.015% 量程 ± 0.015% of Span
	线性 Linearity	± 1% 量程 ± 1% of Span
	迟滞 Hysteresis	± 0.01% 量程 ± 0.01% of Span
	稳定 Stability	± 0.2% (1年Year)
	功率 Power	DC 18~30V
警告 Notice	输出信号 Output Signal	DC 4~20mA
	负载电阻 Load Resistance	500Ω at DC 24V
警告 Notice		在检查是否合适后使用， 因为产品的材料和规格会根据化学品的不同而变化。 Use It After Checking Whether To Be Suitable, Because Materials And Specification Of The Product Change According To Chemicals. 爆炸性气体和液体始终存在的非危险区域。 Non Hazardous Zone Where Explosive Gases and Liquids Always Exist.

* 本规格表中显示的内容 (规格和图形尺寸) 可能会发生更改, 恕不另行通知, 以提高产品质量。
The content displayed in this specification sheet (specifications and graphic dimensions) may be changed without prior notice to improve product quality.

尺寸 Dimension



MSP 1000-PE-MF3/8-8K-D24

压力变送器
Pressure Transmitter

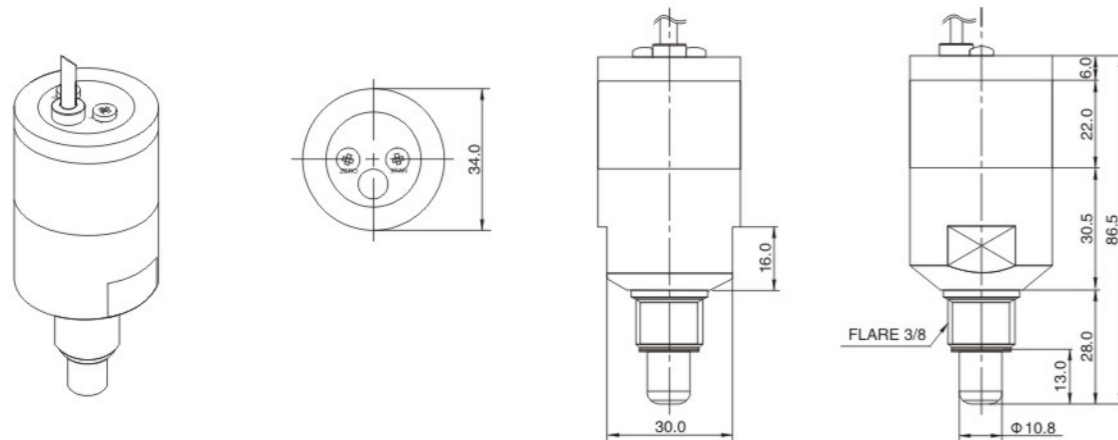


技术规范 Specifications

型号 MODEL		MSP 1000-PE-MF3/8-8K-D24
名称 Name	3/8" 压力变送器 Pressure Transmitter	
流体 Fluid	化学品 Chemicals, 去离子水 D.I Water	
条件 Condition	工作压力 Operating Pressure	0~0.8Mpa (0~8Kgf/cm ²)
	工作温度 Operating Temperature	0~120℃
	储存温度 Storage Temperature	-10~80℃
	连接类型 Connection Type	外螺纹管连接 Male Flare
	连接尺寸 Connection Size	3/8"
	显示类型 Display Type	无显示 Non Display
	电缆 Cable	3m (标准 Standard)
	准确 Accuracy	±0.5% F.S
	可重复性 Repeatability	±0.015%量程 ±0.015% of Span
	线性 Linearity	±1%量程 ±1% of Span
迟滞 Hysteresis	迟滞 Hysteresis	±0.01%量程 ±0.01% of Span
	稳定 Stability	±0.2% (1年Year)
	控制器 Controller	功率 Power DC 18~30V
输出信号 Output Signal	输出信号 Output Signal	DC 4~20mA
	负载电阻 Load Resistance	500Ω at DC 24V
警告 Notice	在检查是否合适后使用， 因为产品的材料和规格会根据化学品的不同而变化。 Use It After Checking Whether To Be Suitable, Because Materials And Specification Of The Product Change According To Chemicals. 爆炸性气体和液体始终存在的非危险区域。 Non Hazardous Zone Where Explosive Gases and Liquids Always Exist.	

※ 本规格表中显示的内容(规格和图形尺寸)可能会发生更改,恕不另行通知,以提高产品质量。
The content displayed in this specification sheet (specifications and graphic dimensions) may be changed without prior notice to improve product quality.

尺寸 Dimension



MSP 1000-PE-MF1/2-8K-D24

压力变送器
Pressure Transmitter

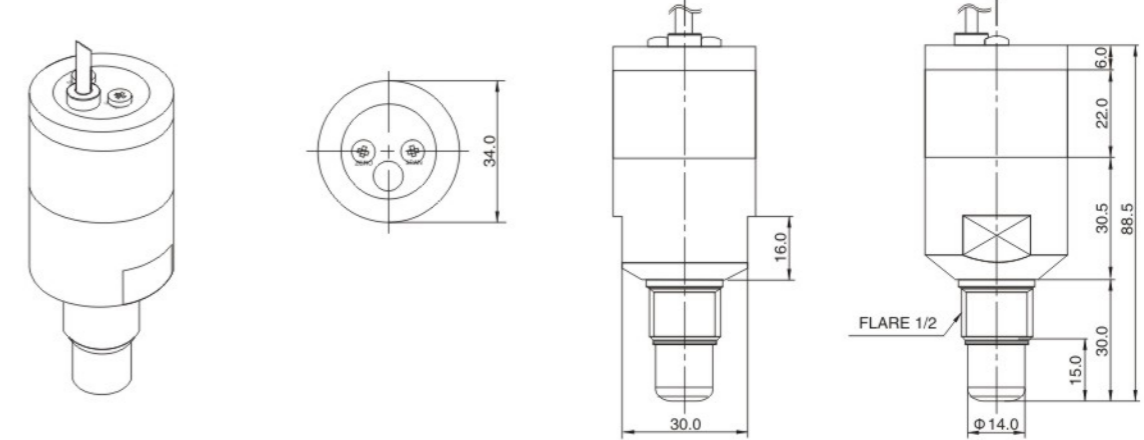


技术规范 Specifications

型号 MODEL		MSP 1000-PE-MF1/2-8K-D24
名称 Name	1/2" 压力变送器 Pressure Transmitter	
流体 Fluid	化学品 Chemicals, 去离子水 D.I Water	
条件 Condition	工作压力 Operating Pressure	0~0.8Mpa (0~8Kgf/cm ²)
	工作温度 Operating Temperature	0~120℃
	储存温度 Storage Temperature	-10~80℃
	连接类型 Connection Type	外螺纹管连接 Male Flare
	连接尺寸 Connection Size	1/2"
	显示类型 Display Type	无显示 Non Display
	电缆 Cable	3m (标准 Standard)
	准确 Accuracy	±0.5% F.S
	可重复性 Repeatability	±0.015%量程 ±0.015% of Span
	线性 Linearity	±1%量程 ±1% of Span
迟滞 Hysteresis	迟滞 Hysteresis	±0.01%量程 ±0.01% of Span
	稳定 Stability	±0.2% (1年Year)
	控制器 Controller	功率 Power DC 18~30V
输出信号 Output Signal	输出信号 Output Signal	DC 4~20mA
	负载电阻 Load Resistance	500Ω at DC 24V
警告 Notice	在检查是否合适后使用， 因为产品的材料和规格会根据化学品的不同而变化。 Use It After Checking Whether To Be Suitable, Because Materials And Specification Of The Product Change According To Chemicals. 爆炸性气体和液体始终存在的非危险区域。 Non Hazardous Zone Where Explosive Gases and Liquids Always Exist.	

※ 本规格表中显示的内容(规格和图形尺寸)可能会发生更改,恕不另行通知,以提高产品质量。
The content displayed in this specification sheet (specifications and graphic dimensions) may be changed without prior notice to improve product quality.

尺寸 Dimension



MSP 2000-PE-MF1/4-8K-D24

带一体式显示器压力变送器
Integral Display With Pressure Transmitter

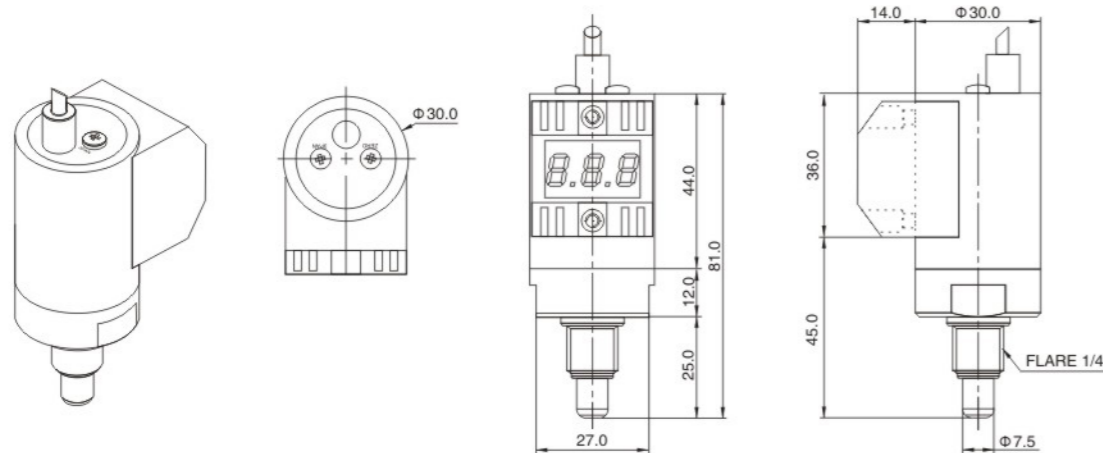


技术规范 Specifications

型号 MODEL		MSP 2000-PE-MF1/4-8K-D24
名称 Name	1/4" 压力变送器 Pressure Transmitter	
流体 Fluid	化学品 Chemicals, 去离子水 D.I Water	
条件 Condition	工作压力 Operating Pressure	0~0.8Mpa (0~8Kgf/cm ²)
	工作温度 Operating Temperature	0~120°C
	储存温度 Storage Temperature	-10~80°C
	连接类型 Connection Type	外螺纹管连接 Male Flare
	连接尺寸 Connection Size	1/4"
	显示类型 Display Type	FND 3位显示 FND 3 Digit Display
	电缆 Cable	3m (标准 Standard)
	准确 Accuracy	±0.5% F.S
	可重复性 Repeatability	±0.015%量程 ±0.015% of Span
	线性 Linearity	±1%量程 ±1% of Span
迟滞 Hysteresis	迟滞 Hysteresis	±0.01%量程 ±0.01% of Span
	稳定 Stability	±0.2% (1年Year)
	控制器 Controller	功率 Power DC 18~30V
输出信号 Output Signal	输出信号 Output Signal	DC 4~20mA
	负载电阻 Load Resistance	500Ω at DC 24V
警告 Notice	在检查是否合适后使用， 因为产品的材料和规格会根据化学品的不同而变化。 Use It After Checking Whether To Be Suitable, Because Materials And Specification Of The Product Change According To Chemicals. 爆炸性气体和液体始终存在的非危险区域。 Non Hazardous Zone Where Explosive Gases and Liquids Always Exist.	

※ 本规格表中显示的内容(规格和图形尺寸)可能会发生变更,恕不另行通知,以提高产品质量。
The content displayed in this specification sheet (specifications and graphic dimensions) may be changed without prior notice to improve product quality.

尺寸 Dimension



MSP 2000-PE-MF3/8-8K-D24

带一体式显示器压力变送器
Integral Display With Pressure Transmitter

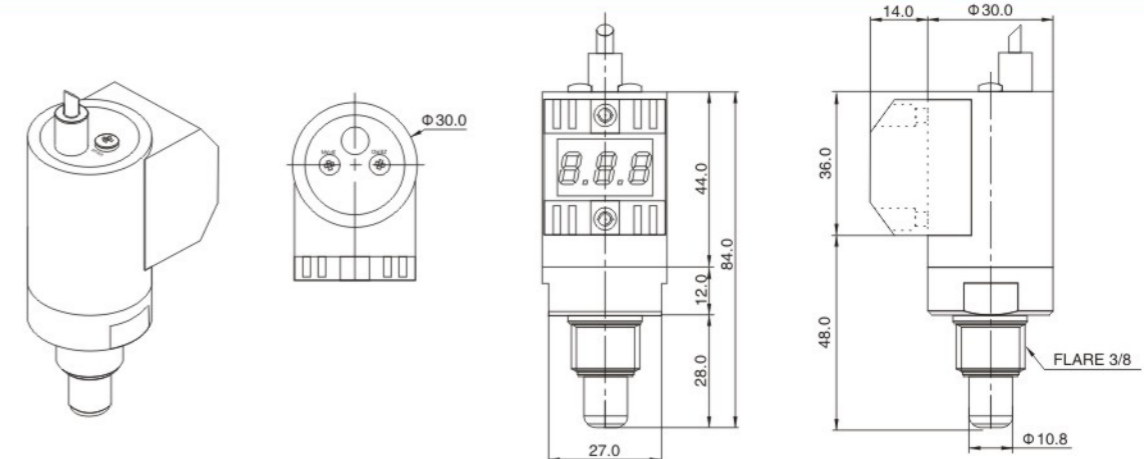


技术规范 Specifications

型号 MODEL		MSP 2000-PE-MF3/8-8K-D24
名称 Name	3/8" 压力变送器 Pressure Transmitter	
流体 Fluid	化学品 Chemicals, 去离子水 D.I Water	
条件 Condition	工作压力 Operating Pressure	0~0.8Mpa (0~8Kgf/cm ²)
	工作温度 Operating Temperature	0~120°C
	储存温度 Storage Temperature	-10~80°C
	连接类型 Connection Type	外螺纹管连接 Male Flare
	连接尺寸 Connection Size	3/8"
	显示类型 Display Type	FND 3位显示 FND 3 Digit Display
	电缆 Cable	3m (标准 Standard)
	准确 Accuracy	±0.5% F.S
	可重复性 Repeatability	±0.015%量程 ±0.015% of Span
	线性 Linearity	±1%量程 ±1% of Span
迟滞 Hysteresis	迟滞 Hysteresis	±0.01%量程 ±0.01% of Span
	稳定 Stability	±0.2% (1年Year)
	控制器 Controller	功率 Power DC 18~30V
输出信号 Output Signal	输出信号 Output Signal	DC 4~20mA
	负载电阻 Load Resistance	500Ω at DC 24V
警告 Notice	在检查是否合适后使用， 因为产品的材料和规格会根据化学品的不同而变化。 Use It After Checking Whether To Be Suitable, Because Materials And Specification Of The Product Change According To Chemicals. 爆炸性气体和液体始终存在的非危险区域。 Non Hazardous Zone Where Explosive Gases and Liquids Always Exist.	

※ 本规格表中显示的内容(规格和图形尺寸)可能会发生变更,恕不另行通知,以提高产品质量。
The content displayed in this specification sheet (specifications and graphic dimensions) may be changed without prior notice to improve product quality.

尺寸 Dimension



MSP 2000-PE-MF1/2-8K-D24

带一体式显示器压力变送器
Integral Display With Pressure Transmitter

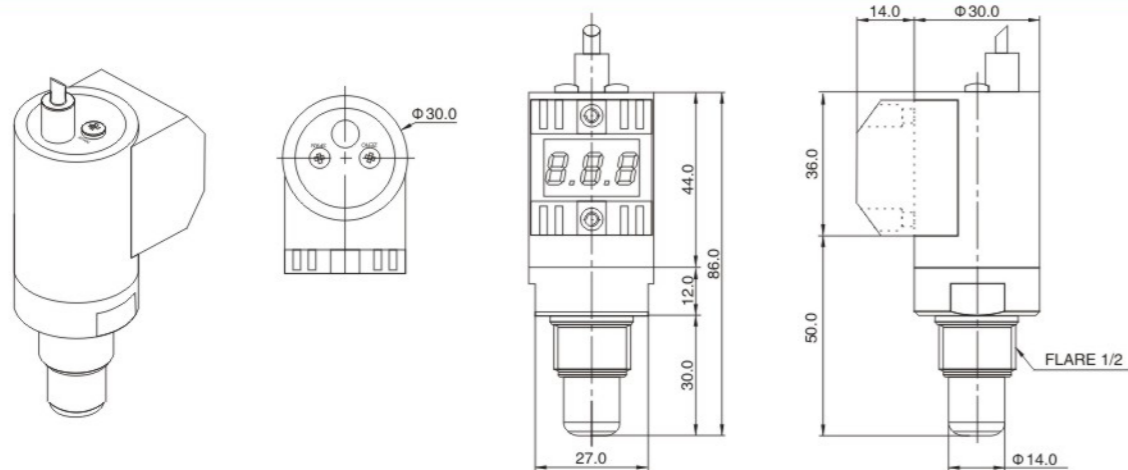


技术规范 Specifications

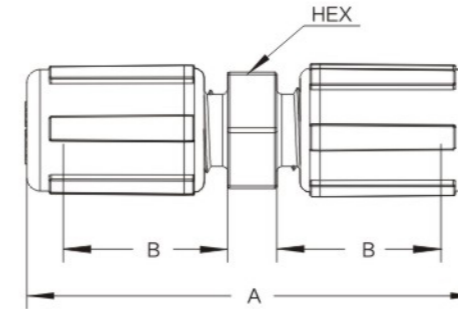
型号 MODEL	MSP 2000-PE-MF1/2-8K-D24	
名称 Name	1/2" 压力变送器 Pressure Transmitter	
流体 Fluid	化学品 Chemicals, 去离子水 D.I Water	
条件 Condition	工作压力 Operating Pressure	0~0.8Mpa (0~8Kgf/cm ²)
	工作温度 Operating Temperature	0~120℃
	储存温度 Storage Temperature	-10~80℃
	连接类型 Connection Type	外螺纹管连接 Male Flare
	连接尺寸 Connection Size	1/2"
	显示类型 Display Type	FND 3位显示 FND 3 Digit Display
	电缆 Cable	3m (标准 Standard)
	准确 Accuracy	±0.5% F.S
	可重复性 Repeatability	±0.015%量程 ±0.015% of Span
	线性 Linearity	±1%量程 ±1% of Span
迟滞 Hysteresis	±0.01%量程 ±0.01% of Span	
稳定 Stability	±0.2% (1年Year)	
控制器 Controller	功率 Power	DC 18~30V
	输出信号 Output Signal	DC 4~20mA
	负载电阻 Load Resistance	500Ω at DC 24V
警告 Notice	在检查是否合适后使用， 因为产品的材料和规格会根据化学品的不同而变化。 Use It After Checking Whether To Be Suitable, Because Materials And Specification Of The Product Change According To Chemicals. 爆炸性气体和液体始终存在的非危险区域。 Non Hazardous Zone Where Explosive Gases and Liquids Always Exist.	

※ 本规格表中显示的内容(规格和图形尺寸)可能会发生变更,恕不另行通知,以提高产品质量。
The content displayed in this specification sheet (specifications and graphic dimensions) may be changed without prior notice to improve product quality.

尺寸 Dimension



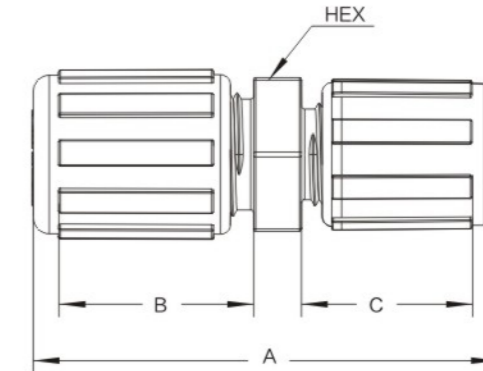
扩口型等径直通接头 STRAIGHT UNION



尺寸:毫米 Dimension : mm

零件号 PART No.	管外径 Tube O.D.	口径 Orifice	A	B	HEX
KUC-1/4i-1/4i	1/4"	3.81	65.2	24.6	11/16
KUC-3/8i-3/8i	3/8"	6.35	69.6	26.4	13/16
KUC-1/2i-1/2i	1/2"	9.65	75.9	30.1	15/16
KUC-3/4i-3/4i	3/4"	16	84.7	32.9	1-3/16
KUC-1i-1i	1"	22.35	94.5	37.1	1-7/16
KUC-1-1/4i-1-1/4i	1-1/4"	27.94	117.3	45.7	1-3/4
KUC-1-1/2i-1-1/2i	1-1/2"				

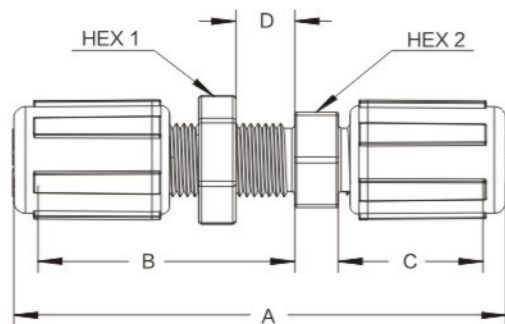
扩口型变径直通接头 STRAIGHT UNION REDUCER



尺寸:毫米 Dimension : mm

零件号 PART No.	管外径 Tube O.D.	管外径 Tube O.D.	A	B	C	Hex
KURC-3/8i-1/4i	3/8"	1/4"	69.1	26.4	24.6	11/16"
KURC-1/2i-1/4i	1/2"	1/4"	71.6	29	24.6	15/16"
KURC-1/2i-3/8i	1/2"	3/8"	74.2	29	26.4	15/16"
KURC-3/4i-1/4i	3/4"	1/4"	75.2	32.8	24.6	1-3/16"
KURC-3/4i-3/8i	3/4"	3/8"	78	32.8	26.7	1-3/16"
KURC-3/4i-1/2i	3/4"	1/2"	80.5	32.8	29	1-3/16"
KURC-1i-1/4i	1"	1/4"	80.5	37.1	24.6	1-7/16"
KURC-1i-1/2i	1"	1/2"	85.9	36.8	29	1-7/16"
KURC-1i-3/4i	1"	3/4"	89.7	37.1	32.8	1-7/16"
KURC-1-1/4i-1i	1-1/4"	1"	110.7	44.5	38.4	1-3/4"
KURC-1-1/2i-1-1/4i	1-1/2"	1-1/4"				
KURC-1-1/2i-1i	1-1/2"	1"				

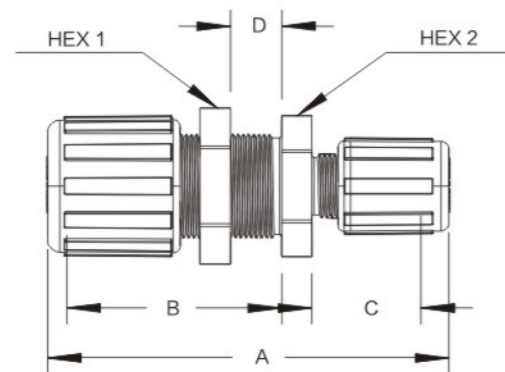
扩口型等径穿板直通接头
STRAIGHT UNION PANEL MOUNT



尺寸:毫米Dimension : mm

零件号 PART No.	管外径 Tube O.D.	口径 Orifice	A	B	C	D (Max)	HEX 1	HEX 2	最小面板口径 Minimum Panel Hole Diameter
KMPUC-1/4i-1/4i	1/4"	3.81	84.6	43.9	27.4	12.7	3/4	11/16	1/2"
KMPUC-3/8i-3/8i	3/8"	6.35	90.2	46.6	26.7	12.7	15/16	13/16	5/8"
KMPUC-1/2i-1/2i	1/2"	9.65	95.2	49.3	29	12.7	1-1/16	15/16	3/4"
KMPUC-3/4i-3/4i	3/4"	16	104.6	52.5	33	12.7	1-5/16	1-3/16	1"
KMPUC-1i-1i	1"	22.35	114	56.2	37.2	12.7	1-3/4	1-5/8	1-7/16"

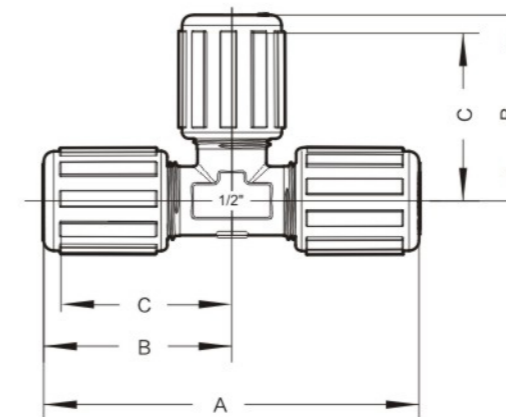
扩口型变径穿板直通接头
STRAIGHT UNION PANEL MOUNT REDUCER



尺寸:毫米Dimension : mm

零件号 PART No.	管外径 Tube O.D.	管外径 Tube O.D.	口径 Orifice	A	B	C	D (Max)	HEX 1	HEX 2	最小面板口径 Minimum Panel Hole Diameter
KMPUC-3/8i-1/4i	3/8"	1/4"	3.81	88.4	46.5	24.6	12.7	15/16	13/16	5/8"
KMPUC-1/2i-1/4i	1/2"	1/4"	3.81	91.2	49.3	24.6	12.7	1-1/16	15/16	3/4"
KMPUC-1/2i-3/8i	1/2"	3/8"	6.35	94	49.3	26.4	12.7	1-1/16	15/16	3/4"
KMPUC-3/4i-3/8i	3/4"	3/8"	6.35	98	52.3	26.4	12.7	1-5/16	1-3/16	1"
KMPUC-3/4i-1/2i	3/4"	1/2"	9.65	100.3	52.3	29	12.7	1-5/16	1-3/16	1"
KMPUC-1i-3/4i	1"	3/4"	16	109.5	56.1	32.8	12.7	1-3/4	1-5/8	1-7/16"

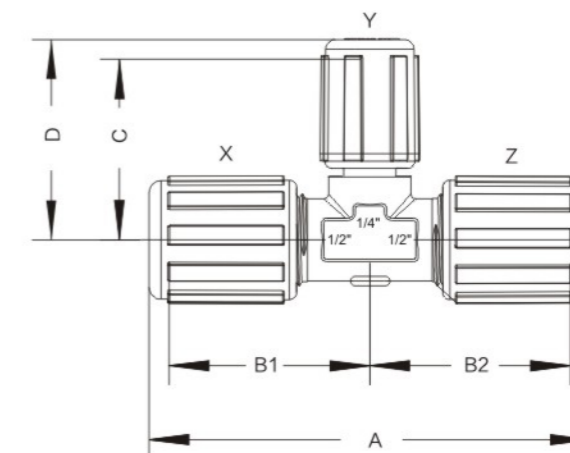
扩口型等径三通接头
UNION TEE



尺寸:毫米Dimension : mm

零件号 PART No.	管外径 Tube O.D.	口径 Orifice	A	B	C
KUT-1/4i-1/4i	1/4"	3.81	84.3	42.2	37.3
KUT-3/8i-3/8i	3/8"	6.35	89.4	44.7	38.9
KUT-1/2i-1/2i	1/2"	9.65	95	47.5	41.9
KUT-3/4i-3/4i	3/4"	16	112.8	56.4	50.6
KUT-1i-1i	1"	22.35	137.2	68.6	61.7
KUT-1-1/4i-1-1/4i	1-1/4"	27.94	150.4	75.2	67.3
KUT-1-1/2i-1-1/2i	1-1/2"				

扩口型变径三通接头
UNION REDUCING TEE



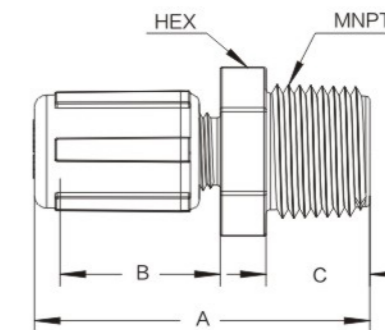
尺寸:毫米Dimension : mm

零件号 PART No.	口径 Orifice	A	B1	B2	C	D	X	Y	Z
KRUT-1/4i-3/8i-1/4i	3.81	84.3	37.3	37.3	38.9	44.7	1/4"	3/8"	1/4"
KRUT-1/4i-1/2i-1/4i	3.81	84.3	37.3	37.3	41.9	47.5	1/4"	1/2"	1/4"
KRUT-3/8i-1/4i-1/4i	3.81	86.9	38.9	37.3	37.3	42.2	3/8"	1/4"	1/4"
KRUT-3/8i-1/4i-3/8i	3.81	89.4	38.9	38.9	37.3	42.2	3/8"	1/4"	3/8"
KRUT-3/8i-3/8i-1/4i	3.81	86.9	38.9	37.3	38.9	44.7	3/8"	3/8"	1/4"
KRUT-3/8i-1/2i-3/8i	6.35	89.4	38.9	38.9	41.9	47.5	3/8"	1/2"	3/8"
KRUT-3/8i-3/4i-3/8i	6.35	89.4	38.9	38.9	50.3	56.6	3/8"	3/4"	3/8"
KRUT-1/2i-1/4i-1/4i	3.81	89.7	41.9	37.3	37.3	42.2	1/2"	1/4"	1/4"
KRUT-1/2i-1/4i-3/8i	3.81	92.2	41.9	38.9	37.3	42.2	1/2"	1/4"	3/8"
KRUT-1/2i-1/4i-1/2i	3.81	95	41.9	41.9	37.3	42.2	1/2"	1/4"	1/2"

扩口型变径三通接头
UNION REDUCING TEE

零件号 PART No.	口径 Orifice	A	B1	B2	C	D	X	Y	Z
KRUT-1/2i-3/8i-3/8i	6.35	92.2	41.9	38.9	38.9	44.7	1/2"	3/8"	3/8"
KRUT-1/2i-3/8i-1/2i	6.35	95	41.9	41.9	38.9	44.7	1/2"	3/8"	1/2"
KRUT-1/2i-1/2i-1/4i	3.81	89.7	41.9	37.3	41.9	47.5	1/2"	1/2"	1/4"
KRUT-1/2i-1/2i-3/8i	9.65	92.2	41.9	38.9	41.9	47.5	1/2"	1/2"	3/8"
KRUT-1/2i-3/4i-1/2i	9.65	94.5	42.2	41.9	50.6	56.4	1/2"	3/4"	1/2"
KRUT-3/4i-1/4i-3/4i	3.81	112.8	50.6	50.6	37.3	42.2	3/4"	1/4"	3/4"
KRUT-3/4i-3/8i-3/4i	6.35	112.8	50.6	50.6	38.9	44.7	3/4"	3/8"	3/4"
KRUT-3/4i-1/2i-1/2i	9.65	103.9	50.6	41.9	41.9	47.5	3/4"	1/2"	1/2"
KRUT-3/4i-1/2i-3/4i	9.65	112.8	50.6	50.6	41.9	47.5	3/4"	1/2"	3/4"
KRUT-3/4i-3/4i-1/4i	3.81	99.1	50.6	37.3	50.6	56.9	3/4"	3/4"	1/4"
KRUT-3/4i-3/4i-3/8i	6.35	101.1	50.6	38.9	50.6	56.4	3/4"	3/4"	3/8"
KRUT-3/4i-3/4i-1/2i	9.65	103.9	50.6	41.9	50.6	56.4	3/4"	3/4"	1/2"
KRUT-3/4i-1i-3/4i	16	112.8	50.6	50.6	61.7	68.6	3/4"	1"	3/4"
KRUT-1i-1/4i-1i	3.81	137.2	61.7	61.7	46.5	51.3	1"	1/4"	1"
KRUT-1i-3/8i-1i	6.35	137.2	61.7	61.7	48.3	54.1	1"	3/8"	1"
KRUT-1i-1/2i-1/2i	9.65	118.4	64	42.2	42.2	47.5	1"	1/2"	1/2"
KRUT-1i-1/2i-1i	9.65	137.2	61.7	61.7	51.8	57.4	1"	1/2"	1"
KRUT-1i-3/4i-3/4i	16	137.2	61.7	50.6	50.6	56.4	1"	3/4"	3/4"
KRUT-1i-3/4i-1i	16	125	61.7	61.7	50.6	56.4	1"	3/4"	1"
KRUT-1i-1i-1/4i	3.81	119.1	61.2	46.5	61.2	68.3	1"	1"	1/4"
KRUT-1i-1i-3/8i	6.35	121.2	61.2	48.3	61.2	68.3	1"	1"	3/8"
KRUT-1i-1i-1/2i	9.65	125	61.7	50.8	61.7	68.6	1"	1"	1/2"
KRUT-1i-1i-3/4i	16	125	61.7	50.6	61.7	68.6	1"	1"	3/4"
KRUT-1-1/4i-1i-1-1/4i	22.35	149.9	67.3	67.3	61.2	68.3	1-1/4"	1-1/4"	1-1/4"
KRUT-1-1/2i-1-1/4i-1-1/2i									
KRUT-1-1/2i-1i-1-1/2i									

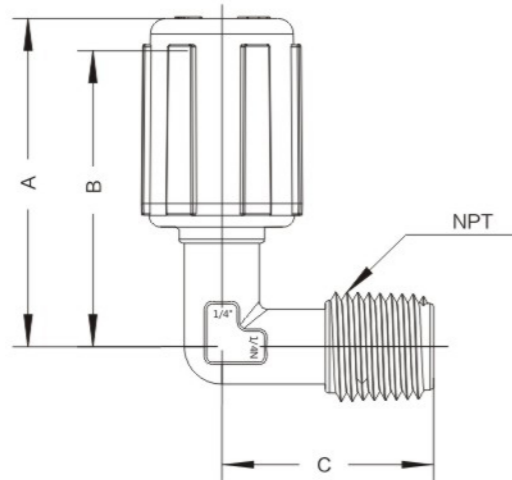
扩口转NPT外螺纹直通接头
MALE CONNECTOR NPT



尺寸:毫米Dimension : mm

零件号 PART No.	管外径 Tube O.D.	MNPT尺寸 MNPT Size	口径 Orifice	A	B	C	HEX
KCM-1/4i-1/8i	1/4"	1/8"	3.81	48.5	24.6	11.4	5/8"
KCM-1/4i-1/4i	1/4"	1/4"	3.81	50.8	24.6	14	5/8"
KCM-1/4i-3/8i	1/4"	3/8"	3.81	50.8	24.6	14	11/16"
KCM-1/4i-1/2i	1/4"	1/2"	3.81	53.9	24.6	16.8	13/16"
KCM-1/4i-3/4i	1/4"	3/4"	3.81	53.9	24.6	17	1-3/16"
KCM-1/4i-1i	1/4"	1"	3.81	58.9	24.6	21.6	1-7/16"
KCM-3/8i-1/8i	3/8"	1/8"	4.57	53.1	26.4	14	13/16"
KCM-3/8i-1/4i	3/8"	1/4"	6.35	53.6	26.4	14	13/16"
KCM-3/8i-3/8i	3/8"	3/8"	6.35	53.6	26.4	14	13/16"
KCM-3/8i-1/2i	3/8"	1/2"	6.35	56.1	26.4	16.8	15/16"
KCM-3/8i-3/4i	3/8"	3/4"	6.35	56.4	26.4	16.8	1-3/16"
KCM-3/8i-1i	3/8"	1"	6.35	60.7	26.4	21.6	1-7/16"
KCM-1/2i-1/8i	1/2"	1/8"	4.57	55.9	29	13.7	15/16"
KCM-1/2i-1/4i	1/2"	1/4"	9.65	55.9	29	14	15/16"
KCM-1/2i-3/8i	1/2"	3/8"	9.65	55.9	29	14	15/16"
KCM-1/2i-1/2i	1/2"	1/2"	9.65	58.9	29	16.8	15/16"
KCM-1/2i-3/4i	1/2"	3/4"	9.65	58.9	29	16.8	1-3/16"
KCM-1/2i-1i	1/2"	1"	9.65	63.8	29	21.8	1-7/16"
KCM-3/4i-3/8i	3/4"	3/8"	9.65	60.2	32.8	14.2	15/16"
KCM-3/4i-1/2i	3/4"	1/2"	12.95	63	32.8	17	1-3/16"
KCM-3/4i-3/4i	3/4"	3/4"	16	63	32.8	17	1-3/16"
KCM-3/4i-1i	3/4"	1"	16	67.6	32.8	21.6	1-7/16"
KCM-1i-1/2i	1"	1/2"	12.95	68.3	37.1	17	1-7/16"
KCM-1i-3/4i	1"	3/4"	16.76	68.3	37.1	17	1-7/16"
KCM-1i-1i	1"	1"	22.35	73.2	37.1	21.8	1-7/16"
KCM-1-1/4i-1i	1-1/4"	1"	24.64	83.6	44.5	21.8	1-3/4"

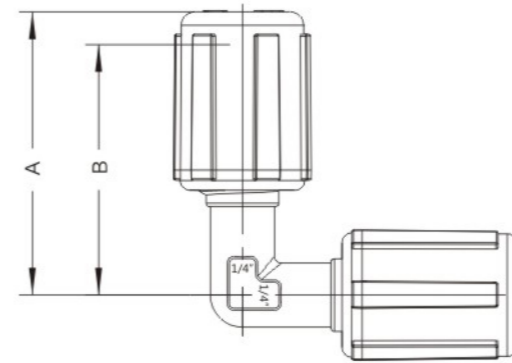
扩口型变径扩口转外螺纹弯头
MALE ELBOW (NPT)



尺寸:毫米Dimension : mm

管外径 Tube O.D.	NPT尺寸 NPT Size	零件号 PART No.	口径 Orifice	A	B	C
KME-1/4i-1/8i	1/4"	1/8"	3.8	42.2	37.3	26.9
KME-1/4i-1/4i	1/4"	1/4"	3.8	42.2	37.3	26.9
KME-1/4i-3/8i	1/4"	3/8"	3.8	42.2	37.3	26.9
KME-1/4i-1/2i	1/4"	1/2"	3.8	42.2	37.3	29.7
KME-3/8i-1/8i	3/8"	1/8"	4.6	44.7	38.9	26.9
KME-3/8i-1/4i	3/8"	1/4"	6.4	44.7	38.9	26.9
KME-3/8i-3/8i	3/8"	3/8"	6.4	44.7	38.9	26.9
KME-3/8i-1/2i	3/8"	1/2"	6.4	44.7	38.9	30
KME-3/8i-3/4i	3/8"	3/4"	6.4	44.7	38.9	34.5
KME-1/2i-1/8i	1/2"	1/8"	4.6	47.2	41.7	26.9
KME-1/2i-1/4i	1/2"	1/4"	6.4	47.2	41.7	26.9
KME-1/2i-3/8i	1/2"	3/8"	9.7	47.2	41.7	26.9
KME-1/2i-1/2i	1/2"	1/2"	9.7	47.2	41.7	30
KME-1/2i-3/4i	1/2"	3/4"	12.5	47.2	41.7	34.5
KME-1/2i-1i	1/2"	1"	9.7	47.2	41.7	45.7
KME-3/4i-3/8i	3/4"	3/8"	9.1	56.1	50.3	31.2
KME-3/4i-1/2i	3/4"	1/2"	13.5	56.1	50.3	34.5
KME-3/4i-3/4i	3/4"	3/4"	16	56.1	50.3	34.8
KME-3/4i-1i	3/4"	1"	16	56.1	50.3	45.7
KME-1i-1/2i	1"	1/2"	13	68.6	61.7	34.8
KME-1i-3/4i	1"	3/4"	16.8	68.6	61.7	41.7
KME-1i-1i	1"	1"	22.1	68.6	61.7	45.7

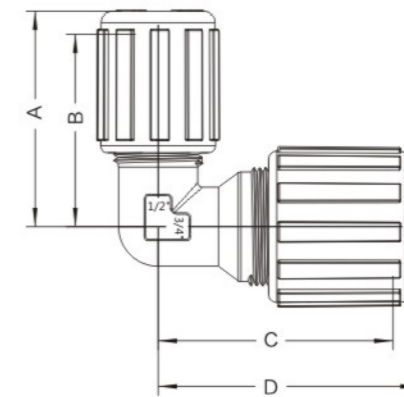
等径扩口弯头
MALE ELBOW (NPT)



尺寸:毫米Dimension : mm

零件号 PART No.	管外径 Tube O.D.	口径 Orifice	A	B
KUE-3/8iM-3/8iM	6	4	41.7	37.4
KUE-1/4i-1/4i	1/4"	3.81	41.7	37.4
KUE-3/8i-3/8i	3/8"	6.35	44.4	39.7
KUE-1/2i-1/2i	1/2"	9.65	45.6	41.4
KUE-3/4i-3/4i	3/4"	16	56.4	50.6
KUE-1i-1i	1"	22.1	67.2	60.7
KUE-1-1/4i-1-1/4i	1-1/4"	27.94	86.7	78.5
KUE-1-1/2i-1-1/2i	1-1/2"			

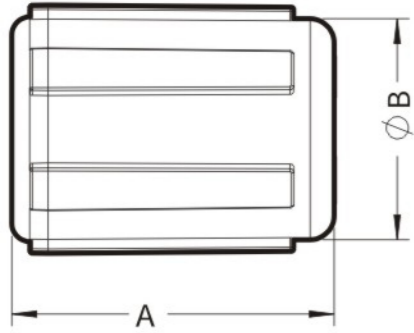
变径扩口弯头
UNION ELBOW REDUCER



尺寸:毫米Dimension : mm

零件号 PART No.	管外径 Tube O.D.	管外径 Tube O.D.	口径 Orifice	A	B	C	D
KRUE-3/8i-1/4i	3/8"	1/4"	3.81	42.2	37.3	38.9	44.7
KRUE-1/2i-1/4i	1/2"	1/4"	3.81	42.2	37.3	41.9	47.5
KRUE-1/2i-3/8i	1/2"	3/8"	6.35	44.7	38.9	41.9	47.5
KRUE-3/4i-1/4i	3/4"	1/4"	3.81	42.2	37.3	50.6	56.4
KRUE-3/4i-3/8i	3/4"	3/8"	6.35	44.7	38.9	50.6	56.4
KRUE-3/4i-1/2i	3/4"	1/2"	9.65	47.5	41.9	50.6	56.4
KRUE-1i-1/2i	1"	1/2"	9.65	51.6	46	61.7	68.6
KRUE-1i-3/4i	1"	3/4"	16	56.4	50.6	61.7	68.6
KRUE-1-1/4i-1i							
KRUE-1-1/2i-1-1/4i							

扩口PFA螺帽 NUT



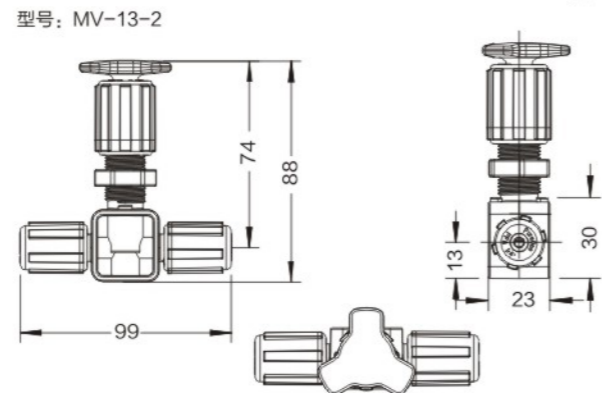
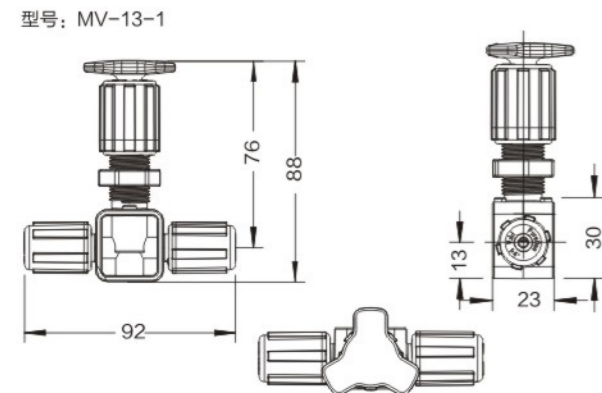
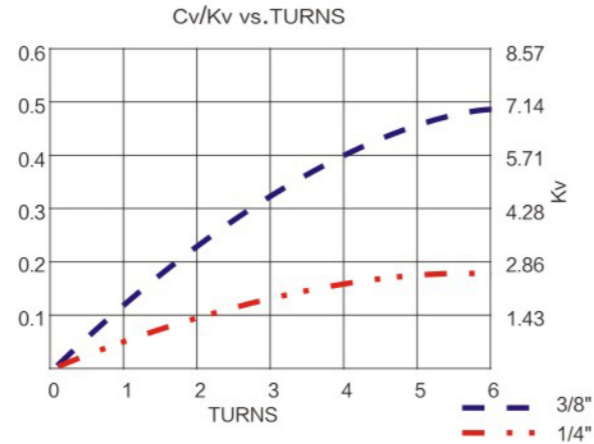
尺寸:毫米Dimension : mm

零件号 PART No.	管外径 Tube O.D.	A	B
KF-N1/4i	1/4"	26.6	18.2
KF-N3/8i	3/8"	27.1	21.9
KF-N1/2i	1/2"	30.5	24.5
KF-N3/4i	3/4"	32.4	32.3
KF-N1i	1"	40.8	43
KF-N1-1/4i	1-1/4"	48	55.4
KF-N1-1/2i	1-1/2"		

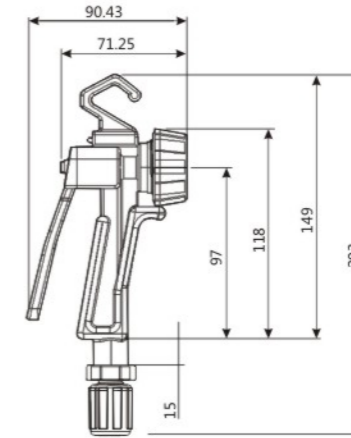
NV-13系列超纯PFA针型阀 NV-13 series ultra pure PFA needle valve

产品主要指标 Main product indicators

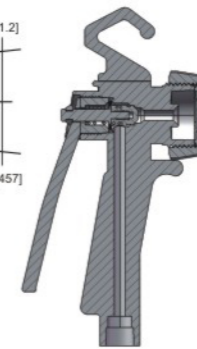
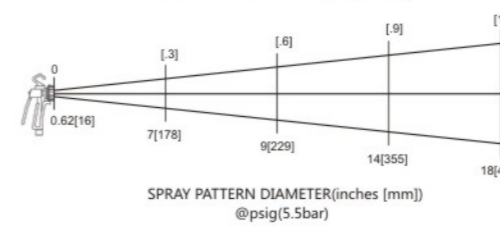
湿部件材质: 超纯PFA
其他部件材质: PFA, PTFE, PVDF
使用压力范围: 100kPa(1bar)~700kPa(7bar)
使用温度范围: 10°C~120°C
Wet component material: Ultra pure PFA
Other component materials: PFA, PTFE, PVDF
Operating pressure range: 100kPa (1bar)~700kPa (7bar)
Operating temperature range: 10°C~120°C



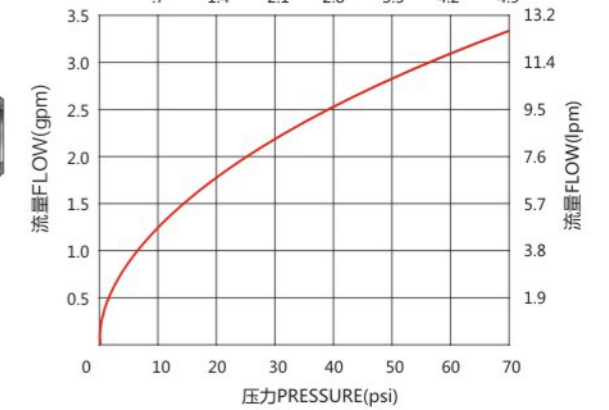
KAG 去离子水喷枪 KAG DI Water Spray Gun



喷射距离与直径关系
Relationship between spray distance and diameter
喷射模式 (在5.5Bar压力下测试)
DISTANCE FROM HEAD(feet[meters])

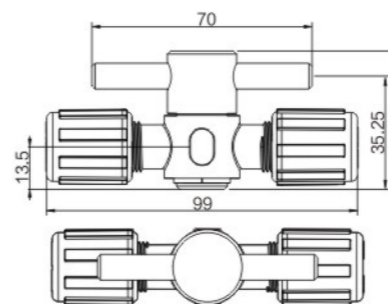


压力/流量关系
Pressure/flow relationship
INLET PRESSURE VS.FLOW PRESSURE(bar)

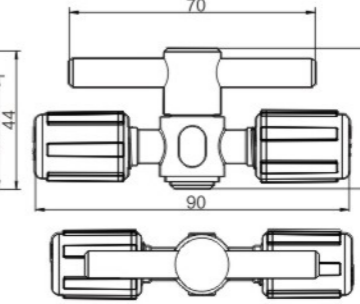


旋塞手阀 Cock hand valve

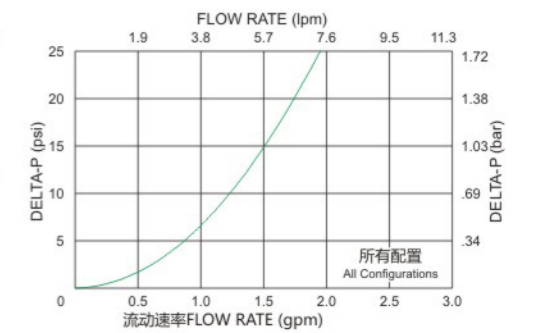
型号: SV-13-01
3/8"旋塞阀
3/8"Cock hand valve



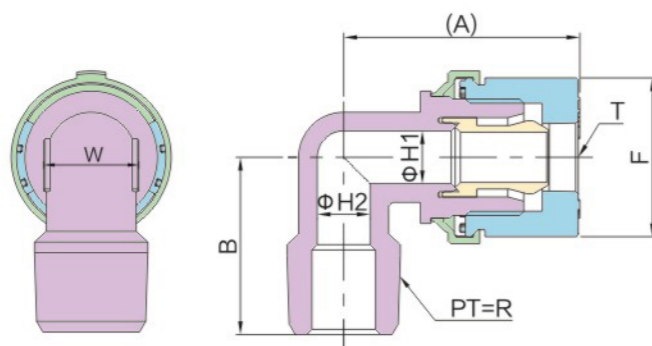
型号: SV-13-01
1/4"旋塞阀
1/4"Cock hand valve



压力流量关系表
Pressure Flow Relationship Table



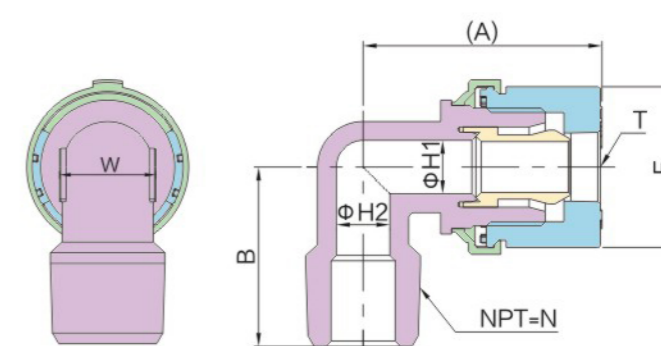
外螺纹弯头
MALE ELBOW



零件号 PART No.	接管口径 Tube Size	螺纹尺寸 Thread Size	(A)	(B)	ϕH1	ϕH2	F	W
公制接头 metric connection (R=PT)			尺寸:毫米Dimension : mm					
IME-3m-R18-M1	3x2	R1/8	24.1	19.2	3	3	12.7	7
IME-4m-R18-M1	4x3	"	"	"	"	"	"	"
IME-6m-R18-M1	6x4	"	30.4	20.5	4	4	17	9.6
IME-6m-R14-M1	"	R1/4	30.3	25.5	"	"	"	"
IME-6m-R38-M1	"	R3/8	30.4	25	"	"	"	"
IME-6m-R12-M1	"	R1/2	33.4	31.5	"	8	"	14.8
IME-8m-R14-M1	8x6	R1/4	33.7	26.5	6	6	20	13
IME-8m-R38-M1	"	R3/8	"	"	"	"	"	"
IME-10m-R18-M1	10x8	R1/8	37.7	23.2	8	4	25	14.8
IME-10m-R14-M1	"	R1/4	"	27.7	"	6	"	"
IME-10m-R38-M1	"	R3/8	"	"	"	8	"	"
IME-10m-R12-M1	"	R1/2	"	31.2	"	"	"	"
IME-12m-R14-M1	12x10	R1/4	44.2	29.5	10	6	30	18
IME-12m-R38-M1	"	R3/8	"	"	"	10	"	"
IME-12m-R12-M1	"	R1/2	"	33	"	"	"	"
IME-12m-R34-M1	"	R3/4	"	35	"	"	"	"
IME-19m-R38-M1	19x15.8	R3/8	56.4	34	16	10	40	27
IME-19m-R12-M1	"	R1/2	"	37.5	"	12	"	"
IME-19m-R34-M1	"	R3/4	"	39.5	"	16	"	"
IME-19m-R1-M1	"	R1	"	"	"	"	"	"
IME-25m-R38-M1	25x22	R3/8	67.7	38.3	22	10	50.5	34
IME-25m-R12-M1	"	R1/2	"	41.8	"	12	"	"
IME-25m-R34-M1	"	R3/4	"	43.8	"	16	"	"
IME-25m-R1-M1	"	R1	"	47.8	"	22	"	"
英制接头 Inch connection (R=PT)			尺寸:毫米Dimension : mm					
IME-18i-R18-M1	1/8"x0.086"	R1/8	24.1	19.2	3	3	12.7	7
IME-14i-R18-M1	1/4"x5/32"	"	30.4	20.5	4	4	17	9.6
IME-14i-R14-M1	"	R1/4	30.3	25.5	"	"	"	"
IME-14i-R38-M1	"	R3/8	30.4	25	"	"	"	"
IME-14i-R12-M1	"	R1/2	33.4	31.5	"	8	"	14.8
IME-38i-R18-M1	3/8"x1/4"	R1/8	37.7	23.2	8	4	25	"
IME-38i-R14-M1	"	R1/4	"	27.7	"	6	"	"
IME-38i-R38-M1	"	R3/8	"	"	"	8	"	"
IME-38i-R12-M1	"	R1/2	"	31.2	"	"	"	"
IME-12i-R14-M1	1/2"x3/8"	R1/4	44.2	29.5	10	6	30	18
IME-12i-R38-M1	"	R3/8	"	"	"	10	"	"
IME-12i-R12-M1	"	R1/2	"	33	"	"	"	"
IME-12i-R34-M1	"	R3/4	"	35	"	"	"	"
IME-34i-R38-M1	3/4"x5/8"	R3/8	56.4	34	16	10	40	27
IME-34i-R12-M1	"	R1/2	"	37.5	"	12	"	"
IME-34i-R34-M1	"	R3/4	"	39.5	"	16	"	"
IME-34i-R1-M1	"	R1	"	"	"	"	"	"
IME-1i-R38-M1	1"x7/8"	R3/8	67.7	38.3	22	10	50.5	34
IME-1i-R12-M1	"	R1/2	"	41.8	"	12	"	"
IME-1i-R34-M1	"	R3/4	"	43.8	"	16	"	"
IME-1i-R1-M1	"	R1	"	47.8	"	22	"	"

· 零件号以外的尺寸 请咨询营业部
· PART No. Outside of size Please consult the sales department

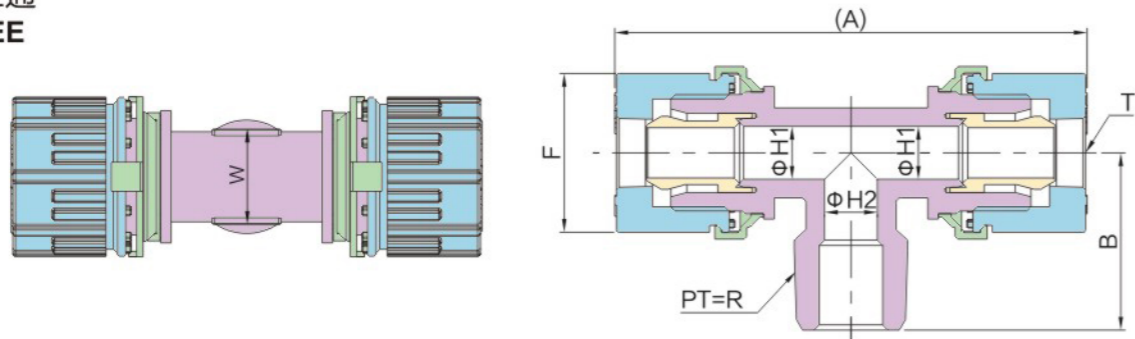
外螺纹弯头
MALE ELBOW



零件号 PART No.	接管口径 Tube Size	螺纹尺寸 Thread Size	(A)	(B)	ϕH1	ϕH2	F	W
公制接头 metric connection (N=NPT)			尺寸:毫米Dimension : mm					
IME-6m-N18-M1	6 x 4	NPT 1/8	30.4	20.5	4	4	17	9.6
IME-6m-N14-M1	"	NPT 1/4	"	25.5	"	"	"	"
IME-6m-N38-M1	"	NPT 3/8	"	25	"	"	"	"
IME-8m-N38-M1	8 x 6	NPT 3/8	33.7	26.5	6	6	20	13
IME-10m-N14-M1	10 x 8	NPT 1/4	37.7	27.7	8	6	25	14.8
IME-10m-N38-M1	"	NPT 3/8	"	"	"	8	"	"
IME-10m-N12-M1	"	NPT 1/2	"	31.2	"	"	"	"
IME-12m-N38-M1	12 x 10	NPT 3/8	44.2	29.5	10	10	30	18
IME-12m-N12-M1	"	NPT 1/2	"	33	"	"	"	"
IME-12m-N34-M1	"	NPT 3/4	"	35	"	"	"	"
IME-19m-N12-M1	19 x 15.8	NPT 1/2	56.4	37.5	16	12	40	27
IME-19m-N34-M1	"	NPT 3/4	"	39.5	"	16	"	"
IME-19m-N1-M1	"	NPT 1	"	"	"	"	"	"
IME-25m-N12-M1	25 x 22	NPT 1/2	67.7	41.8	22	12	50.5	34
IME-25m-N34-M1	"	NPT 3/4	"	43.8	"	16	"	"
IME-25m-N1-M1	"	NPT 1	"	47.8	"	22	"	"
英制接头 Inch connection (N=NPT)			尺寸:毫米Dimension : mm					
IME-14i-N18-M1	1/4" x 5/32"	NPT 1/8	30.4	20.5	4	4	17	9.6
IME-14i-N14-M1	"	NPT 1/4	"	25.5	"	"	"	"
IME-14i-N38-M1	"	NPT 3/8	"	25	"	"	"	"
IME-38i-N14-M1	3/8" x 1/4"	NPT 1/4	37.7	27.7	8	6	25	14.8
IME-38i-N38-M1	"	NPT 3/8	"	"	"	8	"	"
IME-38i-N12-M1	"	NPT 1/2	"	31.2	"	"	"	"
IME-12i-N38-M1	1/2" x 3/8"	NPT 3/8	44.2	29.5	10	10	30	18
IME-12i-N12-M1	"	NPT 1/2	"	33	"	"	"	"
IME-12i-N34-M1	"	NPT 3/4	"	35	"	"	"	"
IME-34i-N12-M1	3/4" x 5/8"	NPT 1/2	56.4	37.5	16	12	40	27
IME-34i-N34-M1	"	NPT 3/4	"	39.5	"	16	"	"
IME-34i-N1-M1	"	NPT 1	"	"	"	"	"	"
IME-1i-N12-M1	1" x 7/8"	NPT 1/2	67.7	41.8	22	12	50.5	34
IME-1i-N34-M1	"	NPT 3/4	"	43.8	"	16	"	"
IME-1i-N1-M1	"	NPT 1	"	47.8	"	22	"	"

· 零件号以外的尺寸 请咨询营业部
· PART No. Outside of size Please consult the sales department

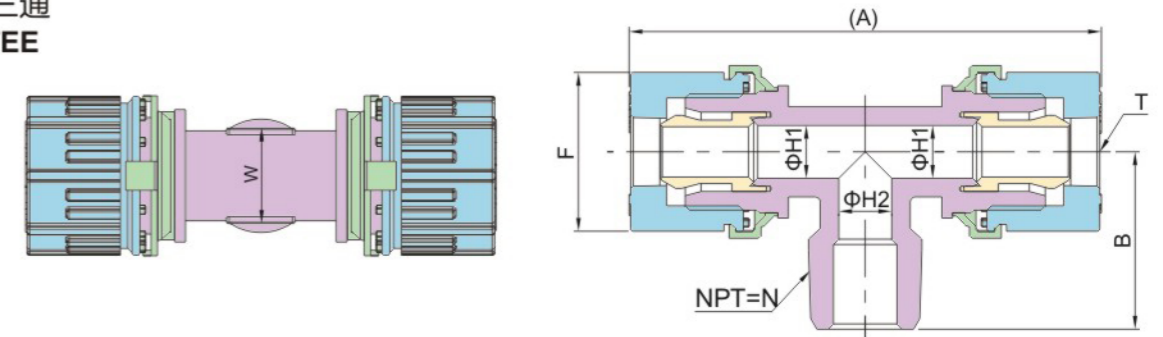
外螺纹三通
MALE TEE



零件号 PART No.	接管口径 Tube Size	螺纹尺寸 Thread Size	(A)	B	ΦH1	ΦH2	F	W
公制接头 metric connection (R=PT) 尺寸:毫米Dimension : mm								
IMT-3m-R18-M1	3x2	R1/8	48.1	19.2	3	3	12.7	7
IMT-4m-R18-M1	4x3	"	"	"	"	"	"	"
IMT-6m-R18-M1	6x4	"	60.8	20.5	4	4	17	9.6
IMT-6m-R14-M1	"	R1/4	"	25.5	"	"	"	"
IMT-6m-R38-M1	"	R3/8	"	25	"	"	"	"
IMT-8m-R14-M1	8x6	R1/4	67.4	26.5	6	6	20	13
IMT-8m-R38-M1	"	R3/8	"	"	"	"	"	"
IMT-10m-R14-M1	10x8	R1/4	75.8	27.7	8	8	25	14.8
IMT-10m-R38-M1	"	R3/8	"	"	"	"	"	"
IMT-10m-R12-M1	"	R1/2	"	31.2	"	"	"	"
IMT-12m-R14-M1	12x10	R1/4	88.9	29.5	10	6	30	18
IMT-12m-R38-M1	"	R3/8	"	"	"	10	"	"
IMT-12m-R12-M1	"	R1/2	"	33	"	"	"	"
IMT-12m-R34-M1	"	R3/4	"	35	"	"	"	"
IMT-19m-R38-M1	19x15.8	R3/8	112.8	34	16	10	40	27
IMT-19m-R12-M1	"	R1/2	"	37.5	"	12	"	"
IMT-19m-R34-M1	"	R3/4	"	39.5	"	16	"	"
IMT-19m-R1-M1	"	R1	"	"	"	"	"	"
IMT-25m-R12-M1	25x22	R1/2	135.8	42	22	12	50.5	34
IMT-25m-R34-M1	"	R3/4	"	44	"	16	"	"
IMT-25m-R1-M1	"	R1	"	48	"	22	"	"
英制接头 Inch connection (R=PT) 尺寸:毫米Dimension : mm								
IMT-18i-R18-M1	1/8"x0.086"	R1/8	48.1	19.2	3	3	12.7	7
IMT-14i-R18-M1	1/4"x5/32"	"	60.8	20.5	4	4	17	9.6
IMT-14i-R14-M1	"	R1/4	"	25.5	"	"	"	"
IMT-14i-R38-M1	"	R3/8	"	25	"	"	"	"
IMT-38i-R14-M1	3/8"x1/4"	R1/4	75.8	27.8	8	8	25	14.8
IMT-38i-R38-M1	"	R3/8	"	"	"	"	"	"
IMT-38i-R12-M1	"	R1/2	"	31.3	"	"	"	"
IMT-12i-R14-M1	1/2"x3/8"	R1/4	88.9	29.5	10	6	30	18
IMT-12i-R38-M1	"	R3/8	"	"	"	10	"	"
IMT-12i-R12-M1	"	R1/2	"	33	"	"	"	"
IMT-12i-R34-M1	"	R3/4	"	35	"	"	"	"
IMT-34i-R38-M1	3/4"x5/8"	R3/8	112.8	34	16	10	40	27
IMT-34i-R12-M1	"	R1/2	"	37.5	"	12	"	"
IMT-34i-R34-M1	"	R3/4	"	39.5	"	16	"	"
IMT-34i-R1-M1	"	R1	"	"	"	"	"	"
IMT-1i-R12-M1	1"x7/8"	R1/2	135.8	42	22	12	50.5	34
IMT-1i-R34-M1	"	R3/4	"	44	"	16	"	"
IMT-1i-R1-M1	"	R1	"	48	"	22	"	"

· 零件号以外的尺寸 请咨询营业部
· PART No. Outside of size Please consult the sales department

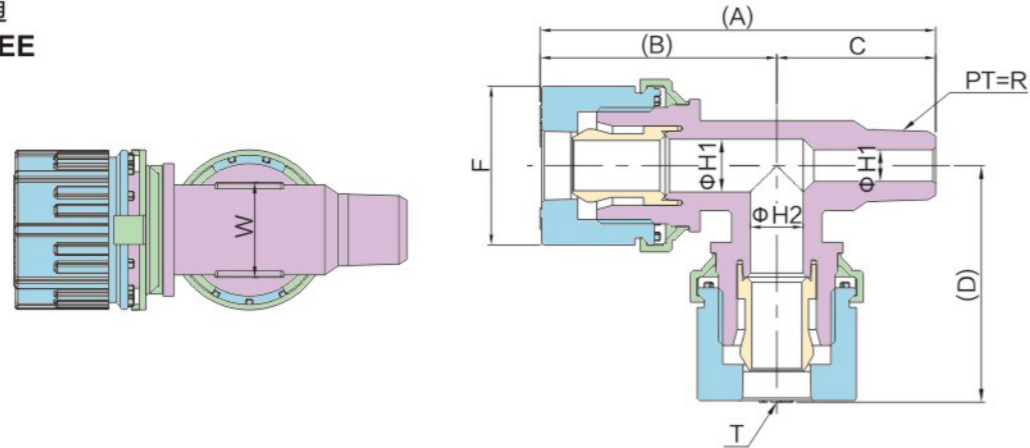
外螺纹三通
MALE TEE



零件号 PART No.	接管口径 Tube Size	螺纹尺寸 Thread Size	(A)	B	ΦH1	ΦH2	F	W
公制接头 metric connection (N=NPT) 尺寸:毫米Dimension : mm								
IMT-6m-N18-M1	6x4	NPT1/8	60.8	20.5	4	4	17	9.6
IMT-6m-N14-M1	"	NPT1/4	"	25.5	"	"	"	"
IMT-6m-N38-M1	"	NPT3/8	"	25	"	"	"	"
IMT-8m-N14-M1	"	NPT1/4	"	26.5	6	6	20	13
IMT-8m-N38-M1	"	NPT3/8	"	"	"	"	"	"
IMT-10m-N14-M1	10x8	NPT1/4	75.8	27.8	8	"	25	14.8
IMT-10m-N38-M1	"	NPT3/8	"	"	"	8	"	"
IMT-10m-N12-M1	"	NPT1/2	"	31.3	"	"	"	"
IMT-12m-N38-M1	12x10	NPT3/8	88.9	29.5	10	10	30	18
IMT-12m-N12-M1	"	NPT1/2	"	33	"	"	"	"
IMT-12m-N34-M1	"	NPT3/4	"	35	"	"	"	"
IMT-19m-N12-M1	19x15.8	NPT1/2	112.8	37.5	16	12	40	27
IMT-19m-N34-M1	"	NPT3/4	"	39.5	"	16	"	"
IMT-19m-N1-M1	"	NPT1	"	"	"	"	"	"
IMT-25m-N12-M1	25x22	NPT1/2	135.8	42	22	12	50.5	34
IMT-25m-N34-M1	"	NPT3/4	"	44	"	16	"	"
IMT-25m-N1-M1	"	NPT1	"	48	"	22	"	"
英制接头 Inch connection (N=NPT) 尺寸:毫米Dimension : mm								
IMT-14i-N18-M1	1/4"x5/32"	NPT1/8	60.8	20.5	4	4	17	9.6
IMT-14i-N14-M1	"	NPT1/4	"	25.5	"	"	"	"
IMT-14i-N38-M1	"	NPT3/8	"	25	"	"	"	"
IMT-38i-N14-M1	3/8"x1/4"	NPT1/4	75.8	27.8	8	6	25	14.8
IMT-38i-N38-M1	"	NPT3/8	"	"	"	8	"	"
IMT-38i-N12-M1	"	NPT1/2	"	31.3	"	"	"	"
IMT-12i-N38-M1	1/2"x3/8"	NPT3/8	88.9	29.5	10	10	30	18
IMT-12i-N12-M1	"	NPT1/2	"	33	"	"	"	"
IMT-12i-N34-M1	"	NPT3/4	"	35	"	"	"	"
IMT-34i-N12-M1	19x15.8	NPT1/2	112.8	37.5	16	12	40	27
IMT-34i-N34-M1	"	NPT3/4	"	39.5	"	16	"	"
IMT-34i-N1-M1	"	NPT1	"	"	"	"	"	"
IMT-1i-N12-M1	1"x7/8"	NPT1/2	135.8	42	22	12	50.5	34
IMT-1i-N34-M1	"	NPT3/4	"	44	"	16	"	"
IMT-1i-N1-M1	"	NPT1	"	48	"	22	"	"

· 零件号以外的尺寸 请咨询营业部
· PART No. Outside of size Please consult the sales department

外螺纹侧三通 MALE RUN TEE

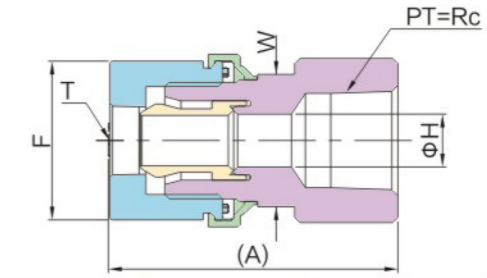


零件号 PART No.	接管口径 Tube Size	螺纹尺寸 Thread Size	(A)	(B)	C	(D)	ΦH1	ΦH2	F	W
公制接头 metric connection (R=PT) 尺寸:毫米Dimension : mm										
IMRT-6m-6m-R38-M1	6x4	R3/8	55.4	30.4	25	30.4	4	4	17	9.6
IMRT-8m-8m-R14-M1	8x6	R1/4	60.2	33.7	26.5	33.7	6	6	20	13
IMRT-8m-8m-R38-M1	"	R3/8	"	"	"	"	"	"	"	"
IMRT-10m-10m-R14-M1	10x8	R1/4	65.8	37.9	27.9	37.8	8	6	25	14.8
IMRT-10m-10m-R38-M1	"	R3/8	"	"	"	"	"	8	"	"
IMRT-12m-12m-R14-M1	12x10	R1/4	74.2	44.45	29.75	44.2	10	6	30	18
IMRT-12m-12m-R38-M1	"	R3/8	"	"	"	"	"	10	"	"
IMRT-12m-12m-R12-M1	"	R1/2	77.7	"	33.25	"	"	"	"	"
IMRT-19m-19m-R14-M1	19x15.8	R1/4	90.4	56.4	34	56.4	16	6	40	27
IMRT-19m-19m-R38-M1	"	R3/8	"	"	"	"	"	10	"	"
IMRT-19m-19m-R12-M1	"	R1/2	93	"	36.6	"	"	12	"	"
IMRT-19m-19m-R34-M1	"	R3/4	95.9	"	39.5	"	"	16	"	"
IMRT-25m-25m-R34-M1	1"x7/8"	"	111.9	67.9	44	67.9	22	"	50.5	34
IMRT-25m-25m-R1-M1	"	R1	115.9	"	48	"	"	22	"	"

零件号 PART No.	接管口径 Tube Size	螺纹尺寸 Thread Size	(A)	(B)	C	(D)	ΦH1	ΦH2	F	W
英制接头 Inch connection (R=PT) 尺寸:毫米Dimension : mm										
IMRT-14i-14i-R38-M1	1/4"x5/32"	R3/8	55.4	30.4	25	30.4	4	4	17	9.6
IMRT-38i-38i-R14-M1	3/8"x1/4"	R1/4	65.8	37.9	27.9	37.8	8	6	25	14.8
IMRT-38i-38i-R38-M1	"	R3/8	"	"	"	"	"	8	"	"
IMRT-12i-12i-R14-M1	1/2"x3/8"	R1/4	74.2	44.45	29.75	44.2	10	6	30	18
IMRT-12i-12i-R38-M1	"	R3/8	"	"	"	"	"	10	"	"
IMRT-12i-12i-R12-M1	"	R1/2	77.7	"	33.25	"	"	"	"	"
IMRT-34i-34i-R14-M1	3/4"x5/8"	R1/4	90.4	56.4	34	56.4	16	6	40	27
IMRT-34i-34i-R38-M1	"	R3/8	"	"	"	"	"	10	"	"
IMRT-34i-34i-R12-M1	"	R1/2	93.9	"	37.5	"	"	12	"	"
IMRT-34i-34i-R34-M1	"	R3/4	95.9	"	39.5	"	"	16	"	"
IMRT-1i-1i-R34-M1	1"x7/8"	"	111.9	67.9	44	67.9	22	"	50.5	34
IMRT-1i-1i-R1-M1	"	R1	115.9	"	48	"	"	22	"	"

· 零件号以外的尺寸 请咨询营业部
· PART No. Outside of size Please consult the sales department

内螺纹直通 FEMALE CONNECTOR

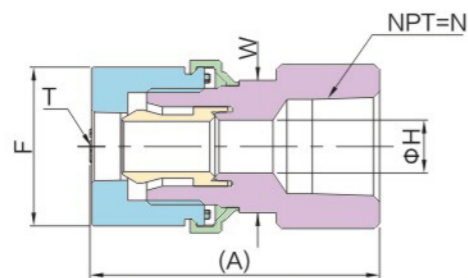


零件号 PART No.	接管口径 Tube Size	螺纹尺寸 Thread Size	(A)	ΦH	F	W
公制接头 metric connection (Rc=PT) 尺寸:毫米Dimension : mm						
IFC-6m-R18-M1	6x4	Rc1/8	34.9	4	17	16
IFC-6m-R14-M1	"	Rc1/4	41.9	"	"	"
IFC-8m-R18-M1	8x6	Rc1/8	39.2	6	20	18
IFC-8m-R14-M1	"	Rc1/4	43.2	"	"	"
IFC-8m-R38-M1	"	Rc3/8	45.2	"	"	"
IFC-10m-R18-M1	10x8	Rc1/8	42	8	25	21
IFC-10m-R14-M1	"	Rc1/4	46	"	"	"
IFC-10m-R38-M1	"	Rc3/8	48	"	"	"
IFC-12m-R18-M1	12x10	Rc1/8	46.7	10	30	25
IFC-12m-R14-M1	"	Rc1/4	50.7	"	"	"
IFC-12m-R38-M1	"	Rc3/8	52.7	"	"	"
IFC-12m-R12-M1	"	Rc1/2	54.7	"	"	"
IFC-19m-R14-M1	19x15.8	Rc1/4	60.9	16	40	34
IFC-19m-R38-M1	"	Rc3/8	62.9	"	"	"
IFC-19m-R12-M1	"	Rc1/2	64.9	"	"	"
IFC-19m-R34-M1	"	Rc3/4	69.4	"	"	"
IFC-25m-R34-M1	25x22	"	80.1	22	50.5	43
IFC-25m-R1-M1	"	Rc1	84.1	"	"	"

零件号 PART No.	接管口径 Tube Size	螺纹尺寸 Thread Size	(A)	ΦH	F	W
英制接头 Inch connection (Rc=PT) 尺寸:毫米Dimension : mm						
IFC-14i-R18-M1	1/4"x5/32"	Rc1/8	34.9	4	17	16
IFC-14i-R14-M1	"	Rc1/4	41.9	"	"	"
IFC-38i-R18-M1	3/8"x1/4"	Rc1/8	42	8	25	21
IFC-38i-R14-M1	"	Rc1/4	46	"	"	"
IFC-38i-R38-M1	"	Rc3/8	48	"	"	"
IFC-12i-R18-M1	1/2"x3/8"	Rc1/8	46.7	10	30	25
IFC-12i-R14-M1	"	Rc1/4	50.7	"	"	"
IFC-12i-R38-M1	"	Rc3/8	52.7	"	"	"
IFC-12i-R12-M1	"	Rc1/2	54.7	"	"	"
IFC-34i-R14-M1	3/4"x5/8"	Rc1/4	60.9	16	40	34
IFC-34i-R38-M1	"	Rc3/8	62.9	"	"	"
IFC-34i-R12-M1	"	Rc1/2	64.9	"	"	"
IFC-34i-R34-M1	"	Rc3/4	69.4	"	"	"
IFC-1i-R34-M1	1"x7/8"	"	80.1	22	50.5	43
IFC-1i-R1-M1	"	Rc1	84.1	"	"	"

· 零件号以外的尺寸 请咨询营业部
· PART No. Outside of size Please consult the sales department

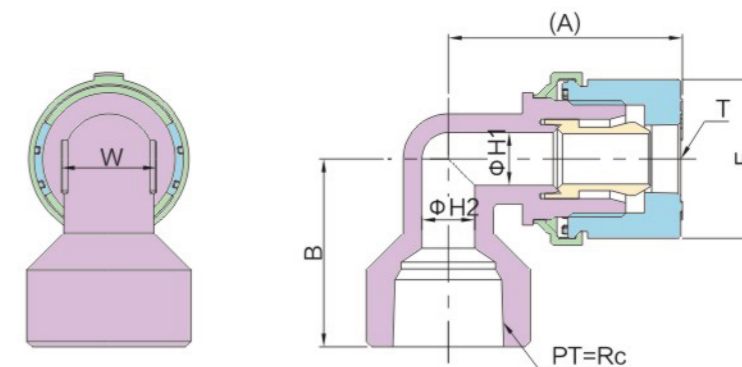
内螺纹直通
FEMALE CONNECTOR



零件号 PART No.	接管口径 Tube Size	螺纹尺寸 Thread Size	(A)	ΦH	F	W
公制接头 metric connection (N=NPT) 尺寸:毫米Dimension : mm						
IFC-6m-N18-M1	6x4	NPT1/8	34.9	4	17	16
IFC-6m-N14-M1	"	NPT1/4	41.9	"	"	"
IFC-8m-N18-M1	8x6	NPT1/8	39.2	6	20	18
IFC-8m-N14-M1	"	NPT1/4	43.2	"	"	"
IFC-8m-N38-M1	"	NPT3/8	45.2	"	"	"
IFC-10m-N18-M1	10x8	NPT1/8	42	8	25	21
IFC-10m-N14-M1	"	NPT1/4	46	"	"	"
IFC-10m-N38-M1	"	NPT3/8	48	"	"	"
IFC-12m-N18-M1	12x10	NPT1/8	46.7	10	30	25
IFC-12m-N14-M1	"	NPT1/4	50.7	"	"	"
IFC-12m-N38-M1	"	NPT3/8	52.7	"	"	"
IFC-12m-N12-M1	"	NPT1/2	54.7	"	"	"
IFC-19m-N14-M1	19x15.8	NPT1/4	60.9	16	40	34
IFC-19m-N38-M1	"	NPT3/8	62.9	"	"	"
IFC-19m-N12-M1	"	NPT1/2	64.9	"	"	"
IFC-19m-N34-M1	"	NPT3/4	69.4	"	"	"
IFC-25m-N34-M1	25x22	NPT3/4	80.1	22	50.5	43
IFC-25m-N1-M1	"	NPT1	84.1	"	"	"
英制接头 Inch connection (N=NPT) 尺寸:毫米Dimension : mm						
IFC-14i-N18-M1	1/4"x5/32"	NPT1/8	34.9	4	17	16
IFC-14i-N14-M1	"	NPT1/4	41.9	"	"	"
IFC-38i-N18-M1	3/8"x1/4"	NPT1/8	42	8	25	21
IFC-38i-N14-M1	"	NPT1/4	46	"	"	"
IFC-38i-N38-M1	"	NPT3/8	48	"	"	"
IFC-12i-N18-M1	1/2"x3/8"	NPT1/8	46.7	10	30	25
IFC-12i-N14-M1	"	NPT1/4	50.7	"	"	"
IFC-12i-N38-M1	"	NPT3/8	52.7	"	"	"
IFC-12i-N12-M1	"	NPT1/2	54.7	"	"	"
IFC-34i-N14-M1	3/4"x5/8"	NPT1/4	60.9	16	40	34
IFC-34i-N38-M1	"	NPT3/8	62.9	"	"	"
IFC-34i-N12-M1	"	NPT1/2	64.9	"	"	"
IFC-34i-N34-M1	"	NPT3/4	69.4	"	"	"
IFC-1i-N34-M1	1"x7/8"	NPT3/4	80.1	22	50.5	43
IFC-1i-N1-M1	"	NPT1	84.1	"	"	"

· 零件号以外的尺寸 请咨询营业部
· PART No. Outside of size Please consult the sales department

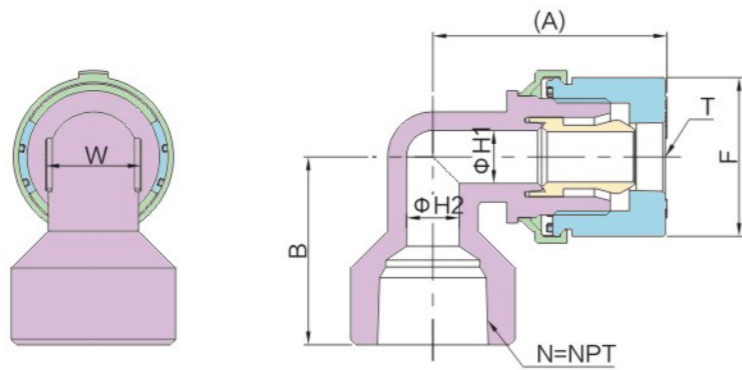
内螺纹弯头
FEMALE ELBOW



零件号 PART No.	接管口径 Tube Size	螺纹尺寸 Thread Size	(A)	B	ΦH1	ΦH2	F	W
公制接头 metric connection (Rc=PT) 尺寸:毫米Dimension : mm								
IFE-6m-R18-M1	6x4	Rc1/8	30.4	21.5	4	4	17	9.6
IFE-6m-R14-M1	"	Rc1/4	"	25.5	"	"	"	"
IFE-8m-R18-M1	8x6	Rc1/8	33.7	22.5	6	6	20	13
IFE-8m-R14-M1	"	Rc1/4	"	26.5	"	"	"	"
IFE-8m-R38-M1	"	Rc3/8	"	28.5	"	"	"	"
IFE-10m-R18-M1	10x8	Rc1/8	37.7	23.7	8	8	25	14.8
IFE-10m-R14-M1	"	Rc1/4	"	27.7	"	"	"	"
IFE-10m-R38-M1	"	Rc3/8	"	29.7	"	"	"	"
IFE-12m-R18-M1	12x10	Rc1/8	44.2	25.5	10	8.2	30	18
IFE-12m-R14-M1	"	Rc1/4	"	29.5	"	10	"	"
IFE-12m-R38-M1	"	Rc3/8	"	31.5	"	"	"	"
IFE-12m-R12-M1	"	Rc1/2	"	35.5	"	"	"	"
IFE-19m-R38-M1	19x15.8	Rc3/8	56.4	36	16	14.3	40	27
IFE-19m-R12-M1	"	Rc1/2	"	38	"	16	"	"
IFE-19m-R34-M1	"	Rc3/4	"	42.5	"	"	"	"
IFE-25m-R12-M1	25x22	Rc1/2	67.7	42.3	22	17.9	50.5	34
IFE-25m-R34-M1	"	Rc3/4	"	46.8	"	22	"	"
IFE-25m-R1-M1	"	Rc1	"	50.8	"	"	"	"
英制接头 Inch connection (Rc=PT) 尺寸:毫米Dimension : mm								
IFE-14i-R18-M1	1/4"x5/32"	Rc1/8	30.4	21.5	4	4	17	9.6
IFE-14i-R14-M1	"	Rc1/4	"	25.5	"	"	"	"
IFE-38i-R18-M1	3/8"x1/4"	Rc1/8	37.7	23.7	8	8	25	14.8
IFE-38i-R14-M1	"	Rc1/4	"	27.7	"	"	"	"
IFE-38i-R38-M1	"	Rc3/8	"	29.7	"	"	"	"
IFE-12i-R18-M1	1/2"x3/8"	Rc1/8	44.2	25.5	10	8.2	30	18
IFE-12i-R14-M1	"	Rc1/4	"	29.5	"	10	"	"
IFE-12i-R38-M1	"	Rc3/8	"	31.5	"	"	"	"
IFE-12i-R12-M1	"	Rc1/2	"	35.5	"	"	"	"
IFE-34i-R38-M1	3/4"x5/8"	Rc3/8	56.4	36	16	14.3	40	27
IFE-34i-R12-M1	"	Rc1/2	"	38	"	16	"	"
IFE-34i-R34-M1	"	Rc3/4	"	42.5	"	"	"	"
IFE-1i-R12-M1	1"x7/8"	Rc1/2	67.7	42.3	22	17.9	50.5	34
IFE-1i-R34-M1	"	Rc3/4	"	46.8	"	22	"	"
IFE-1i-R1-M1	"	Rc1	"	50.8	"	"	"	"

· 零件号以外的尺寸 请咨询营业部
· PART No. Outside of size Please consult the sales department

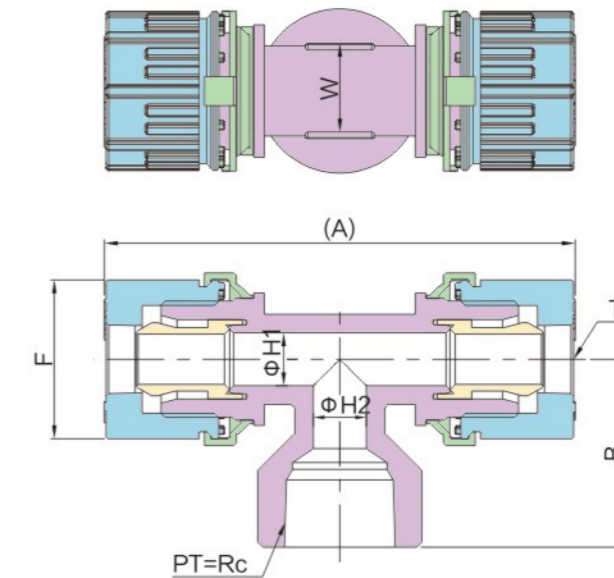
内螺纹弯头
FEMALE ELBOW



零件号 PART No.	接管口径 Tube Size	螺纹尺寸 Thread Size	(A)	B	ΦH1	ΦH2	F	W
公制接头 metric connection (N=NPT) 尺寸:毫米Dimension : mm								
IFE-6m-N18-M1	6x4	NPT1/8	30.4	21.5	4	4	17	9.6
IFE-6m-N14-M1	"	NPT1/4	"	25.5	"	"	"	"
IFE-8m-N18-M1	8x6	NPT1/8	33.7	22.5	6	6	20	13
IFE-8m-N14-M1	"	NPT1/4	"	26.5	"	"	"	"
IFE-8m-N38-M1	"	NPT3/8	"	28.5	"	"	"	"
IFE-10m-N18-M1	10x8	NPT1/8	37.7	23.7	8	8	25	14.8
IFE-10m-N14-M1	"	NPT1/4	"	27.7	"	"	"	"
IFE-10m-N38-M1	"	NPT3/8	"	29.7	"	"	"	"
IFE-12m-N18-M1	12x10	NPT1/8	44.2	25.5	10	8.2	30	18
IFE-12m-N14-M1	"	NPT1/4	"	29.5	"	10	"	"
IFE-12m-N38-M1	"	NPT3/8	"	31.5	"	"	"	"
IFE-12m-N12-M1	"	NPT1/2	"	35.5	"	"	"	"
IFE-19m-N38-M1	19x15.8	NPT3/8	56.4	36	16	14.3	40	27
IFE-19m-N12-M1	"	NPT1/2	"	38	"	16	"	"
IFE-19m-N34-M1	"	NPT3/4	"	42.5	"	"	"	"
IFE-25m-N12-M1	25x22	NPT1/2	67.7	42.3	22	17.9	50.5	34
IFE-25m-N34-M1	"	NPT3/4	"	46.8	"	22	"	"
IFE-25m-N1-M1	"	NPT1	"	50.8	"	"	"	"
英制接头 Inch connection (N=NPT) 尺寸:毫米Dimension : mm								
IFE-14i-N18-M1	1/4"x5/32"	NPT1/8	30.4	21.5	4	4	17	9.6
IFE-14i-N14-M1	"	NPT1/4	"	25.5	"	"	"	"
IFE-38i-N18-M1	3/8"x1/4"	NPT1/8	37.7	23.7	8	8	25	14.8
IFE-38i-N14-M1	"	NPT1/4	"	27.7	"	"	"	"
IFE-38i-N38-M1	"	NPT3/8	"	29.7	"	"	"	"
IFE-12i-N18-M1	1/2"x3/8"	NPT1/8	44.2	25.5	10	8.2	30	18
IFE-12i-N14-M1	"	NPT1/4	"	29.5	"	10	"	"
IFE-12i-N38-M1	"	NPT3/8	"	31.5	"	"	"	"
IFE-12i-N12-M1	"	NPT1/2	"	35.5	"	"	"	"
IFE-34i-N38-M1	3/4"x5/8"	NPT3/8	56.4	36	16	14.3	40	27
IFE-34i-N12-M1	"	NPT1/2	"	38	"	16	"	"
IFE-34i-N34-M1	"	NPT3/4	"	42.5	"	"	"	"
IFE-1i-N12-M1	1"x7/8"	NPT1/2	67.7	42.3	22	17.9	50.5	34
IFE-1i-N34-M1	"	NPT3/4	"	46.8	"	22	"	"
IFE-1i-N1-M1	"	NPT1	"	50.8	"	"	"	"

· 零件号以外的尺寸 请咨询营业部
· PART No. Outside of size Please consult the sales department

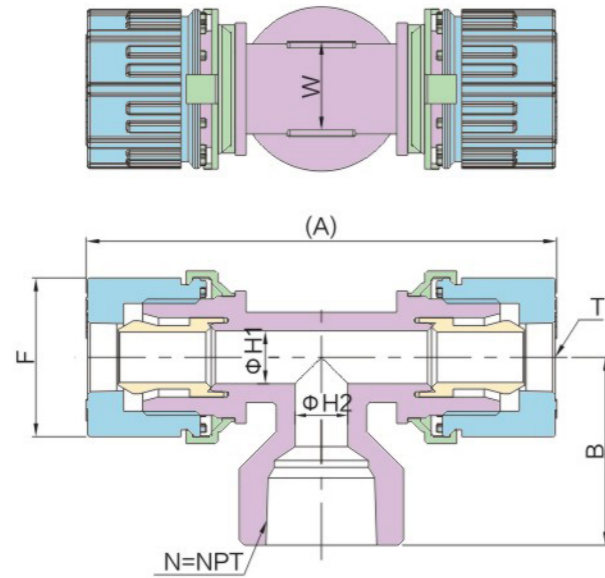
内螺纹三通
FEMALE TEE



零件号 PART No.	接管口径 Tube Size	螺纹尺寸 Thread Size	(A)	B	ΦH1	ΦH2	F	W
公制接头 metric connection (Rc=PT) 尺寸:毫米Dimension : mm								
IFT-6m-R18-M1	6x4	Rc1/8	60.8	21.5	4	4	17	9.6
IFT-6m-R14-M1	"	Rc1/4	"	25.5	"	"	"	"
IFT-8m-R18-M1	8x6	Rc1/8	67.4	22.5	6	6	20	13
IFT-8m-R14-M1	"	Rc1/4	"	26.5	"	"	"	"
IFT-8m-R38-M1	"	Rc3/8	"	28.5	"	"	"	"
IFT-10m-R18-M1	10x8	Rc1/8	75.8	23.8	8	8	25	14.8
IFT-10m-R14-M1	"	Rc1/4	"	27.8	"	"	"	"
IFT-10m-R38-M1	"	Rc3/8	"	29.8	"	"	"	"
IFT-12m-R14-M1	12x10	Rc1/4	88.9	29.5	10	10	30	18
IFT-12m-R38-M1	"	Rc3/8	"	31.5	"	"	"	"
IFT-12m-R12-M1	"	Rc1/2	"	35.5	"	"	"	"
IFT-19m-R38-M1	19x15.8	Rc3/8	112.8	36	16	14.3	40	27
IFT-19m-R12-M1	"	Rc1/2	"	38	"	16	"	"
IFT-19m-R34-M1	"	Rc3/4	"	42.5	"	"	"	"
IFT-25m-R12-M1	25x22	Rc1/2	135.8	"	22	17.9	50.5	34
IFT-25m-R34-M1	"	Rc3/4	"	47	"	22	"	"
IFT-25m-R1-M1	"	Rc1	"	51	"	"	"	"
英制接头 Inch connection (Rc=PT) 尺寸:毫米Dimension : mm								
IFT-14i-R18-M1	1/4"x5/32"	Rc1/8	60.8	21.5	4	4	17	9.6
IFT-14i-R14-M1	"	Rc1/4	"	25.5	"	"	"	"
IFT-38i-R18-M1	3/8"x1/4"	Rc1/8	75.8	23.8	8	8	25	14.8
IFT-38i-R14-M1	"	Rc1/4	"	27.8	"	"	"	"
IFT-38i-R38-M1	"	Rc3/8	"	29.8	"	"	"	"
IFT-12i-R14-M1	1/2"x3/8"	Rc1/4	88.9	29.5	10	10	30	18
IFT-12i-R38-M1	"	Rc3/8	"	31.5	"	"	"	"
IFT-12i-R12-M1	"	Rc1/2	"	35.5	"	"	"	"
IFT-34i-R38-M1	3/4"x5/8"	Rc3/8	112.8	36	16	14.3	40	27
IFT-34i-R12-M1	"	Rc1/2	"	38	"	16	"	"
IFT-34i-R34-M1	"	Rc3/4	"	42.5	"	"	"	"
IFT-1i-R12-M1	1"x7/8"	Rc1/2	135.8	"	22	17.9	50.5	34
IFT-1i-R34-M1	"	Rc3/4	"	47	"	22	"	"
IFT-1i-R1-M1	"	Rc1	"	51	"	"	"	"

· 零件号以外的尺寸 请咨询营业部
· PART No. Outside of size Please consult the sales department

内螺纹三通 FEMALE TEE

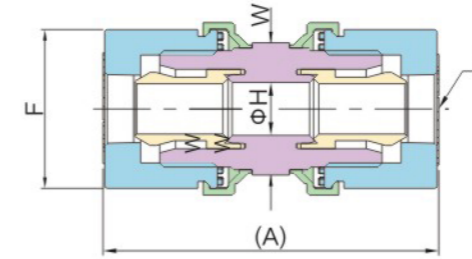


零件号 PART No.	接管口径 Tube Size	螺纹尺寸 Thread Size	(A)	B	ΦH1	ΦH2	F	W
公制接头 metric connection (N=NPT)			尺寸:毫米Dimension : mm					
IFT-6m-N18-M1	6x4	NPT1/8	60.8	21.5	4	4	17	9.6
IFT-6m-N14-M1	"	NPT1/4	"	25.5	"	"	"	"
IFT-8m-N18-M1	8x6	NPT1/8	67.4	22.5	6	6	20	13
IFT-8m-N14-M1	"	NPT1/4	"	26.5	"	"	"	"
IFT-8m-N38-M1	"	NPT3/8	"	28.5	"	"	"	"
IFT-10m-N18-M1	10x8	NPT1/8	75.8	23.8	8	8	25	14.8
IFT-10m-N14-M1	"	NPT1/4	"	27.8	"	"	"	"
IFT-10m-N38-M1	"	NPT3/8	"	29.8	"	"	"	"
IFT-12m-N14-M1	12x10	NPT1/4	88.9	29.5	10	10	30	18
IFT-12m-N38-M1	"	NPT3/8	"	31.5	"	"	"	"
IFT-12m-N12-M1	"	NPT1/2	"	35.5	"	"	"	"
IFT-19m-N38-M1	19x15.8	NPT3/8	112.8	36	16	14.3	40	27
IFT-19m-N12-M1	"	NPT1/2	"	38	"	16	"	"
IFT-19m-N34-M1	"	NPT3/4	"	42.5	"	"	"	"
IFT-25m-N12-M1	25x22	NPT1/2	135.8	"	22	17.9	50.5	34
IFT-25m-N34-M1	"	NPT3/4	"	47	"	22	"	"
IFT-25m-N1-M1	"	NPT1	"	51	"	"	"	"

零件号 PART No.	接管口径 Tube Size	螺纹尺寸 Thread Size	(A)	B	ΦH1	ΦH2	F	W
英制接头 Inch connection (N=NPT)			尺寸:毫米Dimension : mm					
IFT-14i-N18-M1	1/4"x5/32"	NPT1/8	60.8	21.5	4	4	17	9.6
IFT-14i-N14-M1	"	NPT1/4	"	25.5	"	"	"	"
IFT-38i-N18-M1	3/8"x1/4"	NPT1/8	75.8	23.8	8	8	25	14.8
IFT-38i-N14-M1	"	NPT1/4	"	27.8	"	"	"	"
IFT-38i-N38-M1	"	NPT3/8	"	29.8	"	"	"	"
IFT-12i-N14-M1	1/2"x3/8"	NPT1/4	88.9	29.5	10	10	30	18
IFT-12i-N38-M1	"	NPT3/8	"	31.5	"	"	"	"
IFT-12i-N12-M1	"	NPT1/2	"	35.5	"	"	"	"
IFT-34i-N38-M1	3/4"x5/8"	NPT3/8	112.8	36	16	14.3	40	27
IFT-34i-N12-M1	"	NPT1/2	"	38	"	16	"	"
IFT-34i-N34-M1	"	NPT3/4	"	42.5	"	"	"	"
IFT-1i-N12-M1	1"x7/8"	NPT1/2	135.8	"	22	17.9	50.5	34
IFT-1i-N34-M1	"	NPT3/4	"	47	"	22	"	"
IFT-1i-N1-M1	"	NPT1	"	51	"	"	"	"

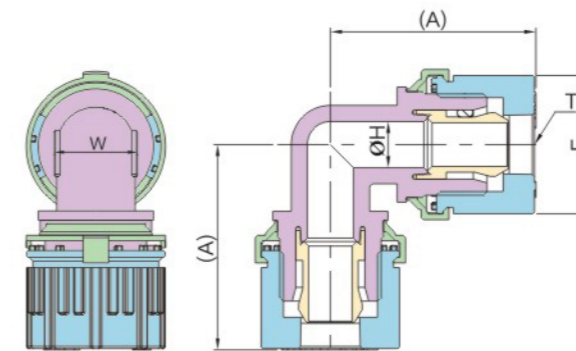
· 零件号以外的尺寸 请咨询营业部
· PART No. Outside of size Please consult the sales department

卡套直通 UNION CONNECTOR



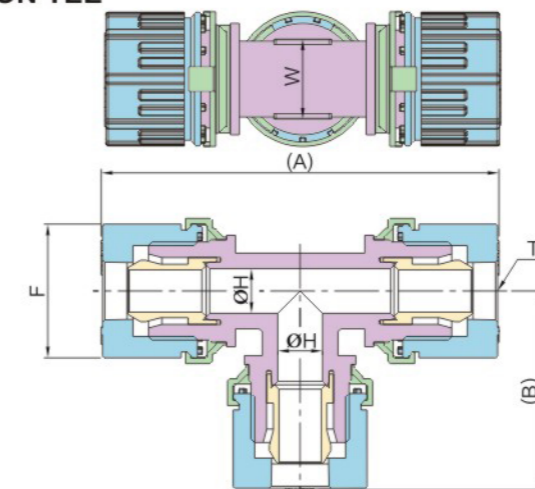
零件号 PART No.	接管口径 Tube Size	(A)	ΦH	F	W
公制接头 metric connection		尺寸:毫米Dimension : mm			
IUC-3m-3m-M1	3x2	38	3	12.8	12
IUC-4m-4m-M1	4x3	"	"	"	"
IUC-6m-6m-M1	6x4	44.6	4	17	16
IUC-8m-8m-M1	8x6	48.4	6	20	18
IUC-10m-10m-M1	10x8	54	8	25	21
IUC-12m-12m-M1	12x10	63.4	10	30	25
IUC-19m-19m-M1	19x15.8	80.8	16	40	34
IUC-25m-25m-M1	25x22	98	22	50.5	43
英制接头 Inch connection		尺寸:毫米Dimension : mm			
IUC-18i-18i-M1	1/8"x0.086"	38	3	12.8	12
IUC-14i-14i-M1	1/4"x5/32"	44.6	4	17	16
IUC-38i-38i-M1	3/8"x1/4"	54	8	25	21
IUC-12i-12i-M1	1/2"x3/8"	63.4	10	30	25
IUC-34i-34i-M1	3/4"x5/8"	80.8	16	40	34
IUC-1i-1i-M1	1"x7/8"	98	22	50.5	43

卡套弯头 UNION ELBOW



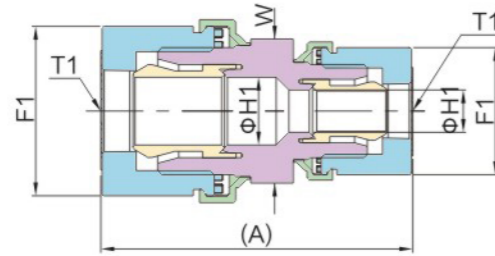
零件号 PART No.	接管口径 Tube Size	(A)	ΦH	F	W
公制接头 metric connection		尺寸:毫米Dimension : mm			
IUE-3m-3m-M1	3x2	24.1	3	12.8	7
IUE-4m-4m-M1	4x3	"	"	"	"
IUE-6m-6m-M1	6x4	30.3	4	17	9.6
IUE-8m-8m-M1	8x6	33.7	6	20	13
IUE-10m-10m-M1	10x8	37.7	8	25	14.8
IUE-12m-12m-M1	12x10	44.2	10	30	18
IUE-19m-19m-M1	19x15.8	56.4	16	40	27
IUE-25m-25m-M1	25x22	67.7	22	50.5	34
英制接头 Inch connection		尺寸:毫米Dimension : mm			
IUE-18i-18i-M1	1/8"x0.086"	24.1	3	12.8	7
IUE-14i-14i-M1	1/4"x5/32"	30.3	4	17	9.6
IUE-38i-38i-M1	3/8"x1/4"	37.7	8	25	14.8
IUE-12i-12i-M1	1/2"x3/8"	44.2	10	30	18
IUE-34i-34i-M1	3/4"x5/8"	56.4	16	40	27
IUE-1i-1i-M1	1"x7/8"	67.7	22	50.5	34

卡套三通 UNION TEE



零件号 PART No.	接管口径 Tube Size	(A)	(B)	ΦH	F	W
公制接头 metric connection		尺寸:毫米Dimension : mm				
IUT-3m-3m-M1	3x2	48.1	24.1	3	12.8	7
IUT-4m-4m-M1	4x3	"	"	"	"	"
IUT-6m-6m-M1	6x4	60.6	30.3	4	17	9.6
IUT-8m-8m-M1	8x6	67.4	33.7	6	20	13
IUT-10m-10m-M1	10x8	75.8	37.8	8	25	14.8
IUT-12m-12m-M1	12x10	88.9	44.2	10	30	18
IUT-19m-19m-M1	19x15.8	112.8	56.4	16	40	27
IUT-25m-25m-M1	25x22	135.8	67.9	22	50.5	34
英制接头 Inch connection		尺寸:毫米Dimension : mm				
IUT-18i-18i-M1	1/8"x0.086"	48.1	24.1	3	12.8	7
IUT-14i-14i-M1	1/4"x5/32"	60.6	30.3	4	17	9.6
IUT-38i-38i-M1	3/8"x1/4"	75.8	37.8	8	25	14.8
IUT-12i-12i-M1	1/2"x3/8"	88.9	44.2	10	30	18
IUT-34i-34i-M1	3/4"x5/8"	112.8	56.4	16	40	27
IUT-1i-1i-M1	1"x7/8"	135.8	67.9	22	50.5	34

变径卡套直通
REDUCING UNION CONNECTOR

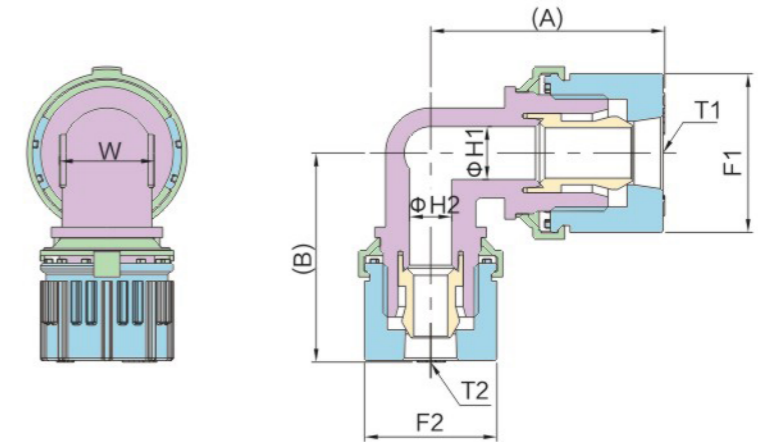


零件号 PART No.	接管口径 T1 Tube Size T1	接管口径 T2 Tube Size T2	(A)	ΦH1	ΦH2	F1	F2	W
公制接头 metric connection 尺寸:毫米Dimension : mm								
IRUC-6m-3m-M1	6x4	3 x 2	38.75	4	3	17	12.7	16
IRUC-6m-4m-M1	"	4 x 3	"	"	"	"	"	"
IRUC-8m-6m-M1	8 x 6	6 x 4	46.6	6	4	20	17	18
IRUC-10m-6m-M1	10 x 8	"	49.4	8	"	25	"	21
IRUC-12m-6m-M1	12 x 10	"	54.1	10	"	30	"	25
IRUC-12m-8m-M1	"	8 x 6	55.9	"	6	"	20	"
IRUC-12m-10m-M1	"	10 x 8	58.7	"	8	"	25	"
IRUC-19m-10m-M1	19x15.8	"	68.9	16	"	40	"	34
IRUC-19m-12m-M1	"	12 x 10	73.6	"	10	"	30	"
IRUC-25m-12m-M1	25 x 22	"	84.3	22	"	50.5	"	43
IRUC-25m-19m-M1	"	19 x 15.8	91.5	"	16	"	40	"

英制接头 Inch connection 尺寸:毫米Dimension : mm								
零件号 PART No.	接管口径 T1 Tube Size T1	接管口径 T2 Tube Size T2	(A)	ΦH1	ΦH2	F1	F2	W
IRUC-14i-18i-M1	1/4"x5/32"	1/8" x 0.086"	38.75	4	3	17	12.7	16
IRUC-8m-14i-M1	8 x 6	1/4" x 5/32"	46.6	6	4	20	17	18
IRUC-38i-14i-M1	3/8"x1/4"	"	49.4	8	"	25	"	21
IRUC-12i-14i-M1	1/2"x3/8"	"	54.1	10	"	30	"	25
IRUC-12i-38i-M1	"	3/8" x 1/4"	58.7	"	8	"	25	"
IRUC-34i-38i-M1	3/4"x5/8"	"	68.9	16	"	40	"	34
IRUC-34i-12i-M1	"	1/2" x 3/8"	73.6	"	10	"	30	"
IRUC-1i-12i-M1	1"x7/8"	"	84.3	22	"	50.5	"	43
IRUC-1i-34i-M1	"	3/4" x 5/8"	91.5	"	16	"	40	"

· 零件号以外的尺寸 请咨询营业部
· PART No. Outside of size Please consult the sales department

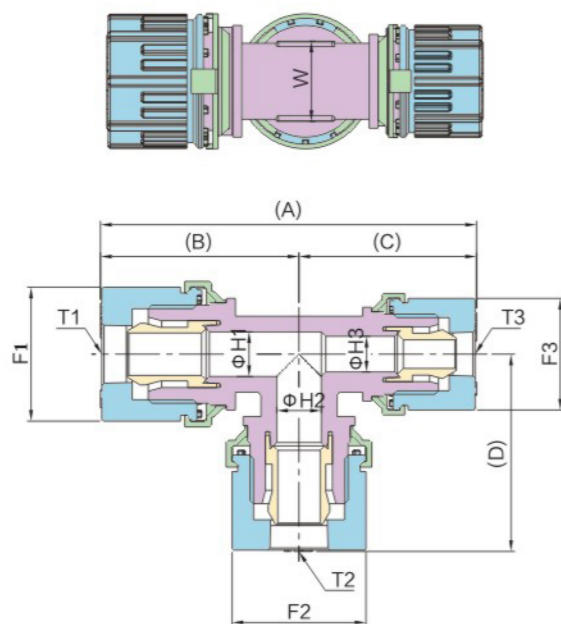
变径卡套弯头
REDUCING UNION ELBOW



零件号 PART No.	接管口径 T1 Tube Size T1	接管口径 T2 Tube Size T2	(A)	(B)	ΦH1	ΦH2	F1	F2	W
公制接头 metric connection 尺寸:毫米Dimension : mm									
IRUE-6m-3m-M1	6 x 4	3 x 2	30.4	22.35	4	3	17	12.7	9.6
IRUE-6m-4m-M1	"	4 x 3	"	"	"	"	"	"	"
IRUE-8m-6m-M1	8 x 6	6 x 4	33.7	31.9	6	4	20	17	13
IRUE-10m-6m-M1	10 x 8	"	37.7	33.1	8	"	25	"	14.8
IRUE-12m-6m-M1	12 x 10	"	44.2	34.9	10	"	30	"	18
IRUE-12m-10m-M1	"	10 x 8	"	39.5	"	8	"	25	"
IRUE-19m-10m-M1	19 x 15.8	"	56.4	44	16	"	40	"	27
IRUE-19m-12m-M1	"	12 x 10	"	48.7	"	10	"	30	"
IRUE-25m-12m-M1	25 x 22	"	67.7	53	22	"	50.5	"	34
IRUE-25m-19m-M1	"	19 x 15.8	"	60.7	"	16	"	40	"

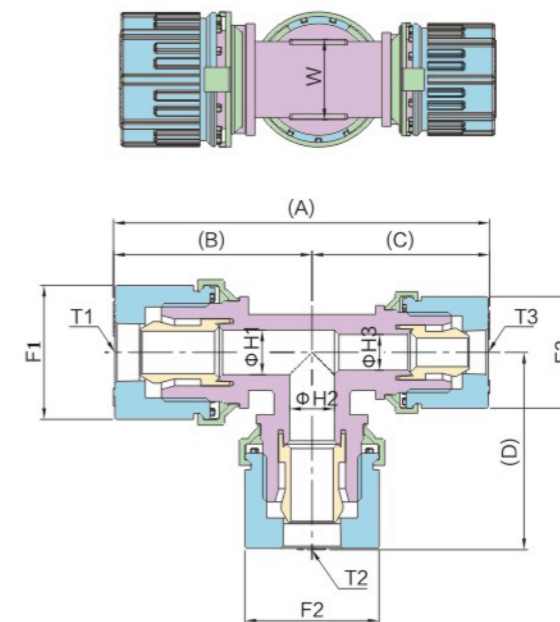
英制接头 Inch connection 尺寸:毫米Dimension : mm									
零件号 PART No.	接管口径 T1 Tube Size T1	接管口径 T2 Tube Size T2	(A)	(B)	ΦH1	ΦH2	F1	F2	W
IRUE-14i-18i-M1	1/4"x5/32"	1/8" x 0.086"	30.4	22.35	4	3	17	12.7	9.6
IRUE-8m-14i-M1	8 x 6	1/4" x 5/32"	33.7	31.9	6	4	20	17	13
IRUE-38i-14i-M1	3/8"x1/4"	"	37.7	33.1	8	"	25	"	14.8
IRUE-12i-14i-M1	1/2"x3/8"	"	44.2	34.9	10	"	30	"	18
IRUE-12i-38i-M1	"	3/8" x 1/4"	"	39.5	"	8	"	25	"
IRUE-34i-38i-M1	3/4"x5/8"	"	56.4	44	16	8	40	"	27
IRUE-34i-12i-M1	"	1/2" x 3/8"	"	48.7	"	10	"	30	"
IRUE-1i-12i-M1	1"x7/8"	"	67.7	53	22	"	50.5	"	34
IRUE-1i-34i-M1	"	3/4" x 5/8"	"	60.7	"	16	"	40	"

· 零件号以外的尺寸 请咨询营业部
· PART No. Outside of size Please consult the sales department

变径卡套三通
REDUCING UNION TEE


零件号 PART No.	接管口径 T1 Tube Size T1	接管口径 T2 Tube Size T2	接管口径 T3 Tube Size T3	(A)	(B)	(C)	(D)	ΦH1	ΦH2	ΦH3	F1	F2	F3	W
公制接头 metric connection														
尺寸:毫米Dimension : mm														
IRUT-3m-6m-M1	3 x 2	6 x 4	3 x 2	57.7	28.8	28.8	34.5	3	4	3	12.8	17	12.8	10
IRUT-4m-6m-M1	4 x 3	"	4 x 3	"	"	"	"	"	"	"	"	"	"	"
IRUT-6m-3m-M1	6 x 4	3 x 2	6 x 4	60.8	30.4	30.4	22.35	4	3	4	17	12.8	17	9.6
IRUT-6m-4m-M1	"	4 x 3	"	"	"	"	"	"	"	"	"	"	"	"
IRUT-6m-10m-M1	"	10 x 8	"	66.8	33.4	33.4	38	"	8	"	"	25	"	14.8
IRUT-6m-12m-M1	"	12 x 10	"	70.8	35.4	35.4	44.7	"	10	"	"	30	"	18
IRUT-8m-6m-M1	8 x 6	6 x 4	8 x 6	67.4	33.7	33.7	31.9	6	4	6	20	17	20	13
IRUT-10m-6m-M1	10 x 8	"	10 x 8	75.8	37.9	37.9	33.2	8	"	8	25	"	25	14.8
IRUT-10m-12m-M1	"	12 x 10	"	79.8	39.9	39.9	44.5	"	10	"	"	30	"	18
IRUT-12m-6m-M1	12 x 10	6 x 4	12 x 10	88.9	44.45	44.45	34.9	10	4	10	30	17	30	"
IRUT-12m-10m-M1	"	10 x 8	"	"	"	"	39.5	"	8	"	"	25	"	"
IRUT-12m-19m-M1	"	19 x 15.8	"	98.4	49.2	49.2	56.9	"	16	"	"	40	"	27
IRUT-19m-6m-M1	19 x 15.8	6 x 4	19 x 15.8	112.8	56.4	56.4	39.4	16	4	16	40	17	40	"
IRUT-19m-10m-M1	"	10 x 8	"	"	"	"	44	"	8	"	"	25	"	"
IRUT-19m-12m-M1	"	12 x 10	"	"	"	"	48.7	"	10	"	"	30	"	"
IRUT-19m-25m-M1	"	25 x 22	"	121.8	60.9	60.9	67.9	"	22	"	"	50.5	"	34
IRUT-25m-12m-M1	25 x 22	12 x 10	25 x 22	135.8	67.9	67.9	53.2	22	10	22	50.5	30	50.5	"
IRUT-25m-19m-M1	"	19 x 15.8	"	"	"	"	60.9	"	16	"	"	40	"	"
IRUT-10m-6m-6m-M1	10 x 8	6 x 4	6 x 4	71.2	37.9	33.3	33.2	8	4	4	25	17	17	14.8
IRUT-12m-10m-10m-M1	12 x 10	10 x 8	10 x 8	84.2	44.45	39.75	39.5	10	8	8	30	25	25	18
IRUT-12m-12m-10m-M1	"	12 x 10	"	"	"	"	44.2	"	10	"	"	30	"	"
IRUT-19m-12m-12m-M1	19 x 15.8	"	12 x 10	105.1	56.4	48.7	48.7	16	"	10	40	"	30	27
IRUT-19m-19m-12m-M1	"	19 x 15.8	"	"	"	"	56.4	"	16	"	"	40	"	"
IRUT-25m-25m-12m-M1	25 x 22	25 x 22	"	121.1	67.9	53.2	67.9	22	22	10	50.5	50.5	30	30
IRUT-25m-25m-19m-M1	"	"	19 x 15.8	128.8	"	60.9	"	"	"	16	"	"	40	34

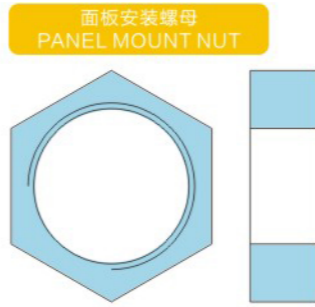
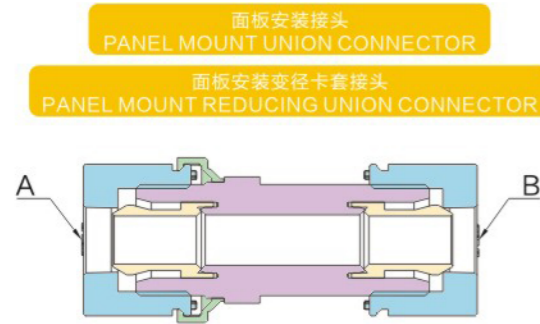
· 零件号以外的尺寸 请咨询营业部
· PART No. Outside of size Please consult the sales department

 变径卡套三通
REDUCING UNION TEE


零件号 PART No.	接管口径 T1 Tube Size T1	接管口径 T2 Tube Size T2	接管口径 T3 Tube Size T3	(A)	(B)	(C)	(D)	ΦH1	ΦH2	ΦH3	F1	F2	F3	W
英制接头 Inch connection														
尺寸:毫米Dimension : mm														
IRUT-18i-14i-M1	1/8"x0.086"	1/4"x5/32"	1/8" x 0.086"	57.7	28.8	28.8	34.5	3	4	3	12.8	17	12.8	10
IRUT-14i-18i-M1	1/4" x 5/32"	1/8"x0.086"	1/4" x 5/32"	60.8	30.4	30.4	22.35	4	3	4	17	12.7	17	9.6
IRUT-14i-38i-M1	"	3/8"x1/4"	"	66.8	33.4	33.4	38	"	8	"	"	25	"	14.8
IRUT-14i-12i-M1	"	1/2" x 3/8"	"	70.8	35.4	35.4	44.7	"	10	"	"	30	"	18
IRUT-8m-14i-M1	8x6	1/4" x 5/32"	8 x 6	67.4	33.7	33.7	31.9	6	4	6	20	17	20	13
IRUT-38i-14i-M1	3/8" x 1/4"	"	3/8" x 1/4"	75.8	37.9	37.9	33.2	8	"	8	25	"	25	14.8
IRUT-38i-12i-M1	"	1/2"x3/8"	"	79.8	39.9	39.9	44.5	"	10	"	"	30	"	18
IRUT-12i-14i-M1	1/2" x 3/8"	1/4"x5/32"	1/2" x 3/8"	88.9	44.45	44.45	34.9	10	4	10	30	17	30	"
IRUT-12i-38i-M1	"	3/8"x1/4"	"	"	"	"	39.5	"	8	"	"	25	"	"
IRUT-12i-34i-M1	"	3/4" x 5/8"	"	98.4	49.2	49.2	56.9	"	16	"	"	40	"	27
IRUT-34i-14i-M1	3/4" x 5/8"	1/4"x5/32"	3/4" x 5/8"	112.8	56.4	56.4	39.4	16	4	16	40	17	40	"
IRUT-34i-38i-M1	"	3/8"x1/4"	"	"	"	"	44	"	8	"	"	25	"	"
IRUT-34i-12i-M1	"	1/2"x3/8"	"	"	"	"	48.7	"	10	"	"	30	"	"
IRUT-34i-1i-M1	"	1"x7/8"	"	121.8	60.9	60.9	67.9	"	22	"	"	50.5	"	34
IRUT-1i-12i-M1	1"x7/8"	1/2"x3/8"	1" x 7/8"	135.8	67.9	67.9	53.2	22	10	22	50.5	30	50.5	"
IRUT-1i-34i-M1	"	3/4"x5/8"	"	"	"	"	60.9	"	16	"	"	40	"	"
IRUT-38i-14i-14i-M1	3/8"x1/4"	1/4"x5/32"	1/4" x 5/32"	71.2	37.9	33.3	33.2	8	4	4	25	17	17	14.8
IRUT-12i-38i-38i-M1	1/2"x3/8"	3/8"x1/4"	3/8" x 1/4"	84.2	44.45	39.75	39.5	10	8	8	30	25	25	18
IRUT-12i-12i-38i-M1	"	1/2"x3/8"	"	"	"	"	44.2	"	10	"	"	30	"	"
IRUT-34i-12i-12i-M1	3/4"x5/8"	"	1/2" x 3/8"	105.1	56.4	48.7	48.7	16	10	10	40	30	30	27
IRUT-34i-34i-12i-M1	"	3/4"x5/8"	"	"	"	"	56.4	"	16	"	"	40	"	"
IRUT-1i-1i-12i-M1	1"x7/8"	1"x7/8"	1/2" x 3/8"	121.1	67.9	53.2	67.9	22	22	10	50.5	50.5	30	30
IRUT-1i-1i-34i-M1	"	"	3/4" x 5/8"	128.8	"	60.9	"	"	"	16	"	"	40	34

· 零件号以外的尺寸 请咨询营业部
· PART No. Outside of size Please consult the sales department

面板安装 PANEL MOUNT



IPMUC- 12i -12i - M1

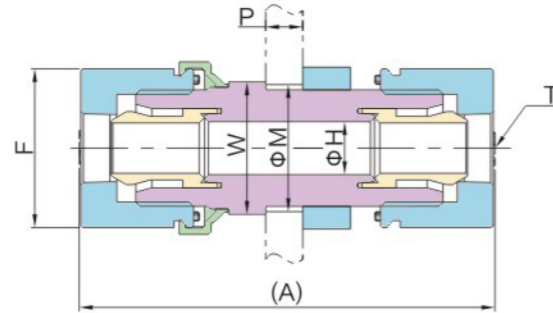
M1:大型附锁型
M1: Mega Lock Type
接管尺寸Tube Size : B (i=inch/m=mm)
接管尺寸Tube Size : A (i=inch/m=mm)

IPMUC : SEBA 面板安装接头
SEBA Panel Mount Union Connector
IPMRUC : SEBA 板安装减径管接头
SEBA Panel Mount Reducing Union Connector

IPM - N12i - MP

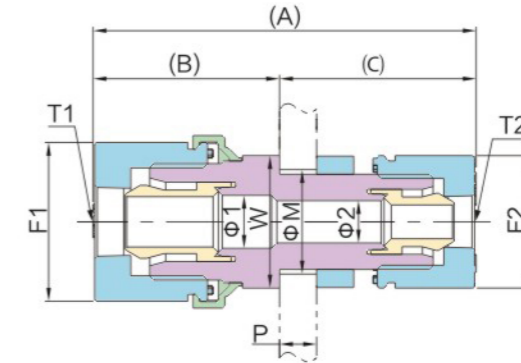
MP : PP
N : Nut
接管尺寸Tube Size : i=inch/m=mm
IPM : 面板安装
IPM : Panel Mount

面板安装接头 PANEL MOUNT UNION CONNECTOR



零件号 PART No.	接管口径 Tube Size	(A)	ΦH	F	MAX P	ΦM	W
公制接头 metric connection 尺寸:毫米Dimension : mm							
IPMUC-6m-6m-M1	6x4	56	4	17	7	12.5	16
IPMUC-8m-8m-M1	8x6	62.7	6	20	"	15.5	18
IPMUC-10m-10m-M1	10x8	67.7	8	25	"	18.5	21
IPMUC-12m-12m-M1	12x10	78.5	10	30	"	22.5	25
IPMUC-19m-19m-M1	19x15.8	96.5	16	40	"	30.5	34
IPMUC-25m-25m-M1	25x22	120	22	50.5	10	40.5	43
英制接头 Inch connection 尺寸:毫米Dimension : mm							
IPMUC-14i-14i-M1	1/4"x5/32"	56	4	17	7	12.5	16
IPMUC-38i-38i-M1	3/8"x1/4"	67.7	8	25	"	18.5	21
IPMUC-12i-12i-M1	1/2"x3/8"	78.5	10	30	"	22.5	25
IPMUC-34i-34i-M1	3/4"x5/8"	96.5	16	40	"	30.5	34
IPMUC-1i-1i-M1	1"x7/8"	120	22	50.5	10	40.5	43

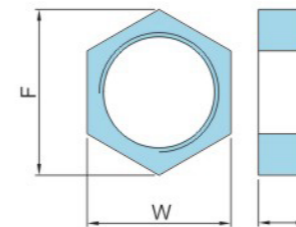
面板安装变径卡套接头 PANEL MOUNT REDUCING UNION CONNECTOR



零件号 PART No.	接管口径T1 Tube Size T1	接管口径T2 Tube Size T2	(A)	(B)	(C)	ΦH1	ΦH2	F1	F2	MAX P	ΦM	W
公制接头 metric connection 尺寸:毫米Dimension : mm												
IPMRUC-6m-3m-M1	6x4	3 x 2	51.75	25.85	31.1	4	3	17	12.7	7	10.5	16
IPMRUC-6m-4m-M1	"	4 x 3	"	"	"	"	"	"	"	"	"	"
IPMRUC-8m-6m-M1	8x6	6 x 4	57.8	27.7	30.1	6	4	20	17	"	12.5	18
IPMRUC-10m-6m-M1	10x8	"	60.6	30.5	"	8	"	25	"	"	"	21
IPMRUC-12m-10m-M1	12x10	10 x 8	72.3	35.2	37.1	10	8	30	25	"	18.5	25
IPMRUC-19m-12m-M1	19x15.8	12 x 10	88.7	45.4	43.3	16	10	40	30	"	22.5	34
IPMRUC-25m-19m-M1	25 x 22	19 x 15.8	107.2	56.1	51.1	22	16	50.5	40	"	30.5	43
英制接头 Inch connection 尺寸:毫米Dimension : mm												
IPMRUC-14i-18i-M1	1/4"x5/32"	1/8" x 0.086"	51.75	25.85	31.1	4	3	17	12.7	7	10.5	16
IPMRUC-8m-14i-M1	8 x 6	1/4" x 5/32"	57.8	27.7	30.1	6	4	20	17	"	12.5	18
IPMRUC-38i-14i-M1	3/8"x1/4"	"	60.6	30.5	"	8	"	25	"	"	"	21
IPMRUC-12i-38i-M1	1/2"x3/8"	3/8" x 1/4"	72.3	35.2	37.1	10	8	30	25	"	18.5	25
IPMRUC-34i-12i-M1	3/4"x5/8"	1/2" x 3/8"	88.7	45.4	43.3	16	10	40	30	"	22.5	34
IPMRUC-1i-34i-M1	1"x7/8"	3/4" x 5/8"	107.2	56.1	51.1	22	16	50.5	40	"	30.5	43

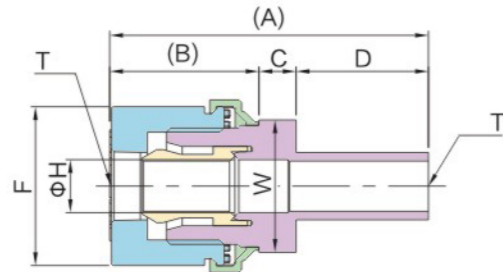
· 零件号以外的尺寸 请咨询营业部
· PART No. Outside of size Please consult the sales department

面板安装螺母 Panel Mount Nut



零件号 PART No.	接管口径 Tube Size	A	W	F
公制接头 metric connection 尺寸:毫米Dimension : mm				
IPM-N6m-MP	6x4	5	16	18.5
IPM-N8m-MP	8x6	7	19	22
IPM-N10m-MP	10x8	"	21.5	24.8
IPM-N12m-MP	12x10	9	26.5	30.6
IPM-N19m-MP	19x15.8	"	38	43.9
IPM-N25m-MP	25x22	10	45	52
英制接头 Inch connection 尺寸:毫米Dimension : mm				
IPM-N14i-MP	1/4"x5/32"	5	16	18.5
IPM-N38i-MP	3/8"x1/4"	7	21.5	24.8
IPM-N12i-MP	1/2"x3/8"	9	26.5	30.6
IPM-N34i-MP	3/4"x5/8"	"	38	43.9
IPM-N1i-MP	1"x7/8"	10	45	52

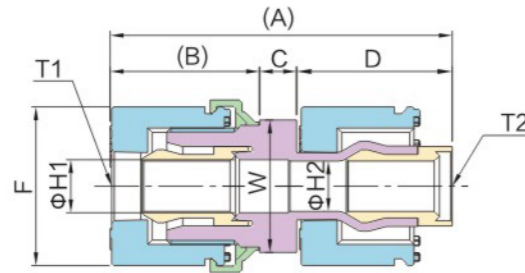
卡套直管接头 UNION CONNECTOR ADAPTOR



▲管端类型 Tube End Type

零件号 PART No.	接管口径 Tube Size	(A)	(B)	C	D	ΦH	F	W
公制接头 metric connection 尺寸:毫米 Dimension : mm								
IUCA-6m-6T-M1	6 x 4	43.4	18.9	7	17.5	4	17	16
IUCA-8m-8T-M1	8 x 6	45.7	20.7	"	18	6	20	18
IUCA-10m-10T-M1	10 x 8	51.5	23.5	"	21	8	25	21
IUCA-12m-12mT-M1	12 x 10	60.2	28.2	"	25	10	30	25
IUCA-19m-19T-M1	19 x 15.8	76.4	35.4	10	31	16	40	34
IUCA-25m-25T-M1	25 x 22	95.1	41.9	14.2	39	22	50.5	43
英制接头 Inch connection 尺寸:毫米 Dimension : mm								
IUCA-14i-14T-M1	1/4" x 5/32"	43.4	18.9	7	17.5	4	17	16
IUCA-38i-38T-M1	3/8" x 1/4"	51.5	23.5	"	21	8	25	21
IUCA-12i-12T-M1	1/2" x 3/8"	60.2	28.2	"	25	10	30	25
IUCA-34i-34T-M1	3/4" x 5/8"	76.4	35.4	10	31	16	40	34
IUCA-1i-1T-M1	1" x 7/8"	95.1	41.9	14.2	39	22	50.5	43

· 零件号以外的尺寸 请咨询营业部
· PART No. Outside of size Please consult the sales department

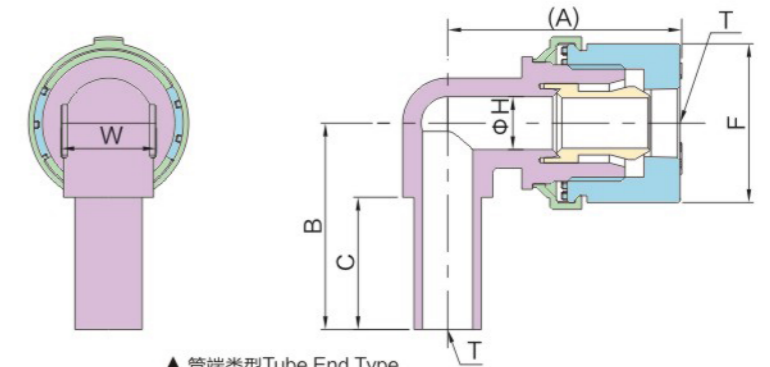


▲套筒和螺母固定 Sleeve & Nut Set

零件号 PART No.	接管口径T1 Tube Size T1	可连接阀体尺寸T2 Connectable Body Size T2	(A)	(B)	C	D	ΦH1	ΦH2	F	W
公制接头 metric connection 尺寸:毫米 Dimension : mm										
IUCA-6m-6A-M1	6 x 4	6	45.3	18.9	7	19.4	4	4	17	16
IUCA-8m-8A-M1	8 x 6	8	49.3	20.7	"	21.6	6	6	20	18
IUCA-10m-10A-M1	10 x 8	10	54.9	23.5	"	24.4	8	8	25	21
IUCA-12m-12mA-M1	12 x 10	12	64.6	28.2	"	29.4	10	10	30	25
IUCA-19m-19A-M1	19 x 15.8	19	81.6	35.4	10	36.2	16	15.8	40	34
IUCA-25m-25A-M1	25 x 22	25	102.1	41.9	14.2	46	22	22	50.5	43
英制接头 Inch connection 尺寸:毫米 Dimension : mm										
IUCA-14i-14A-M1	1/4" x 5/32"	1/4"	45.3	18.9	7	19.4	4	3.95	17	16
IUCA-38i-38A-M1	3/8" x 1/4"	3/8"	54.9	23.5	"	24.4	8	6.33	25	21
IUCA-12i-12A-M1	1/2" x 3/8"	1/2"	64.6	28.2	"	29.4	10	9.5	30	25
IUCA-34i-34A-M1	3/4" x 5/8"	3/4"	81.6	35.4	10	36.2	16	15.8	40	34
IUCA-1i-1A-M1	1" x 7/8"	1"	102.1	41.9	14.2	46	22	22.2	50.5	43

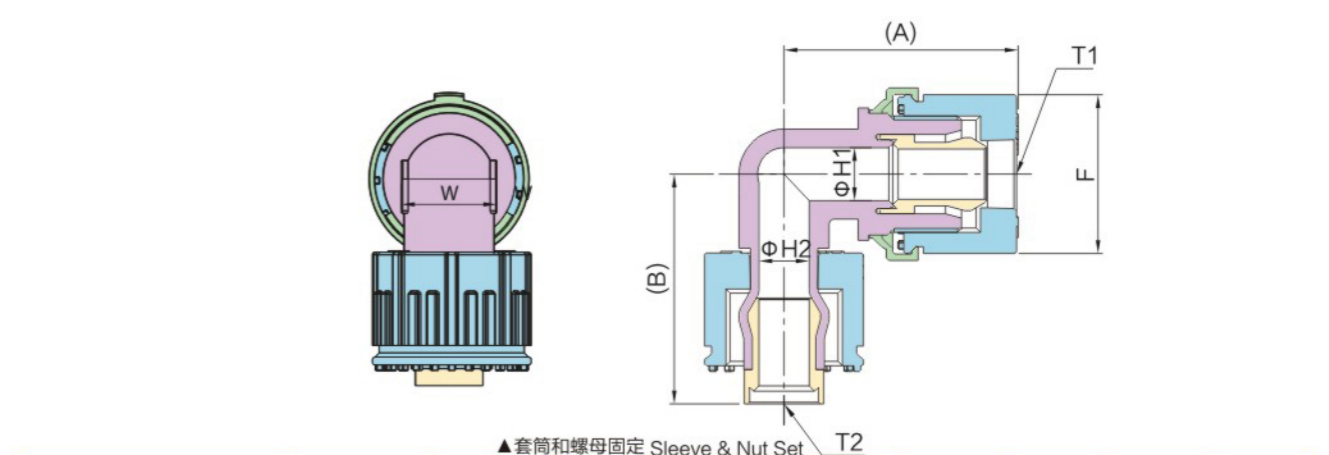
· 零件号以外的尺寸 请咨询营业部
· PART No. Outside of size Please consult the sales department

卡套弯管接头 UNION ELBOW ADAPTOR



▲管端类型 Tube End Type

零件号 PART No.	接管口径 Tube Size	(A)	(B)	C	ΦH	F	W
公制接头 metric connection 尺寸:毫米 Dimension : mm							
IUEA-6m-6T-M1	6 x 4	30.4	27	17.5	4	17	9.6
IUEA-8m-8T-M1	8 x 6	33.7	29	18	6	20	13
IUEA-10m-10T-M1	10 x 8	37.7	33.2	21	8	25	14.8
IUEA-12m-12mT-M1	12 x 10	44.2	39	25	10	30	18
IUEA-19m-19T-M1	19 x 15.8	56.4	49.5	31	16	40	27
IUEA-25m-25T-M1	25 x 22	67.7	61.8	39	22	50.5	34
英制接头 Inch connection 尺寸:毫米 Dimension : mm							
IUEA-14i-14T-M1	1/4" x 5/32"	30.4	27	17.5	4	17	9.6
IUEA-38i-38T-M1	3/8" x 1/4"	37.7	33.2	21	8	25	14.8
IUEA-12i-12T-M1	1/2" x 3/8"	44.2	39	25	10	30	18
IUEA-34i-34T-M1	3/4" x 5/8"	56.4	49.5	31	16	40	27
IUEA-1i-1T-M1	1" x 7/8"	67.7	61.8	39	22	50.5	34

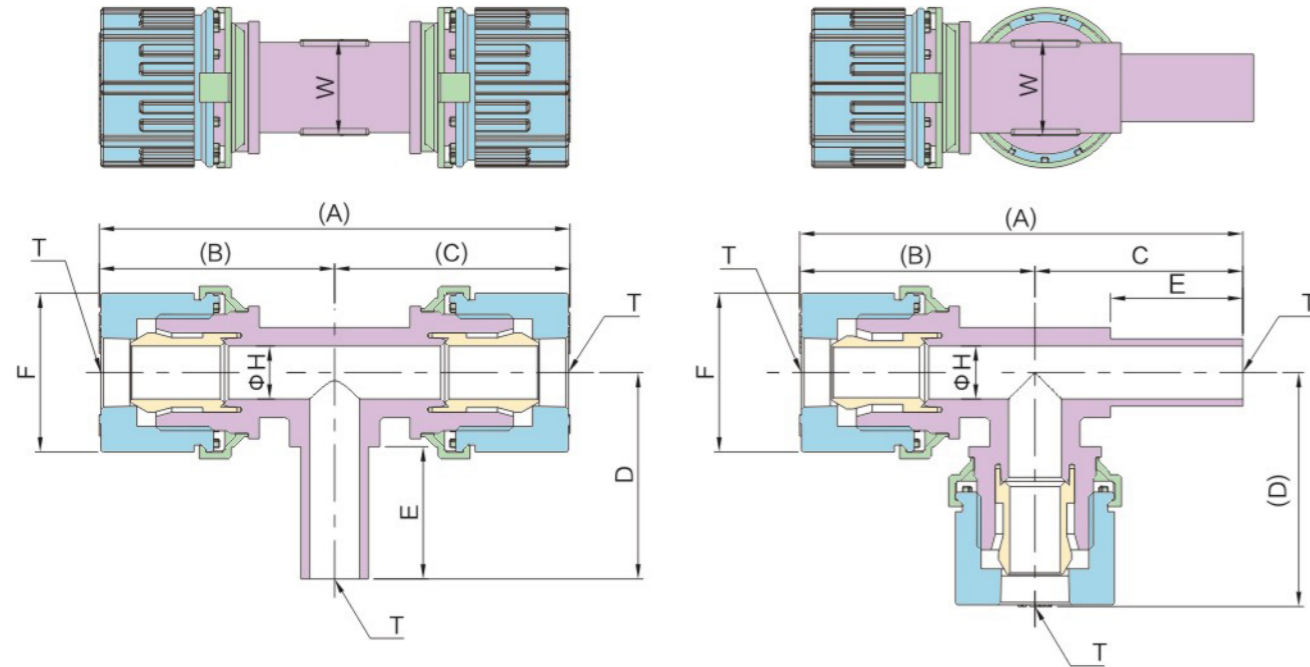


▲套筒和螺母固定 Sleeve & Nut Set

零件号 PART No.	接管口径T1 Tube Size T1	可连接阀体尺寸T2 Connectable Body Size T2	(A)	(B)	ΦH1	ΦH2	F	W
公制接头 metric connection 尺寸:毫米 Dimension : mm								
IUEA-6m-6A-M1	6 x 4	6	30.4	28.9	4	4	17	9.6
IUEA-8m-8A-M1	8 x 6	8	33.7	32.6	6	6	20	13
IUEA-10m-10A-M1	10 x 8	10	37.7	36.6	8	8	25	14.8
IUEA-12m-12mA-M1	12 x 10	12	44.2	43.4	10	10	30	18
IUEA-19m-19A-M1	19 x 15.8	19	56.4	54.7	16	15.8	40	27
IUEA-25m-25A-M1	25 x 22	25	67.7	68.8	22	22	50.5	34
英制接头 Inch connection 尺寸:毫米 Dimension : mm								
IUEA-14i-14A-M1	1/4" x 5/32"	1/4"	30.4	28.9	4	3.95	17	9.6
IUEA-38i-38A-M1	3/8" x 1/4"	3/8"	37.7	36.6	8	6.33	25	14.8
IUEA-12i-12A-M1	1/2" x 3/8"	1/2"	44.2	43.4	10	9.5	30	18
IUEA-34i-34A-M1	3/4" x 5/8"	3/4"	56.4	54.7	16	15.8	40	27
IUEA-1i-1A-M1	1" x 7/8"	1"	67.7	68.8	22	22.2	50.5	34

· 零件号以外的尺寸 请咨询营业部
· PART No. Outside of size Please consult the sales department

卡套三通接头 UNION TEE ADAPTOR

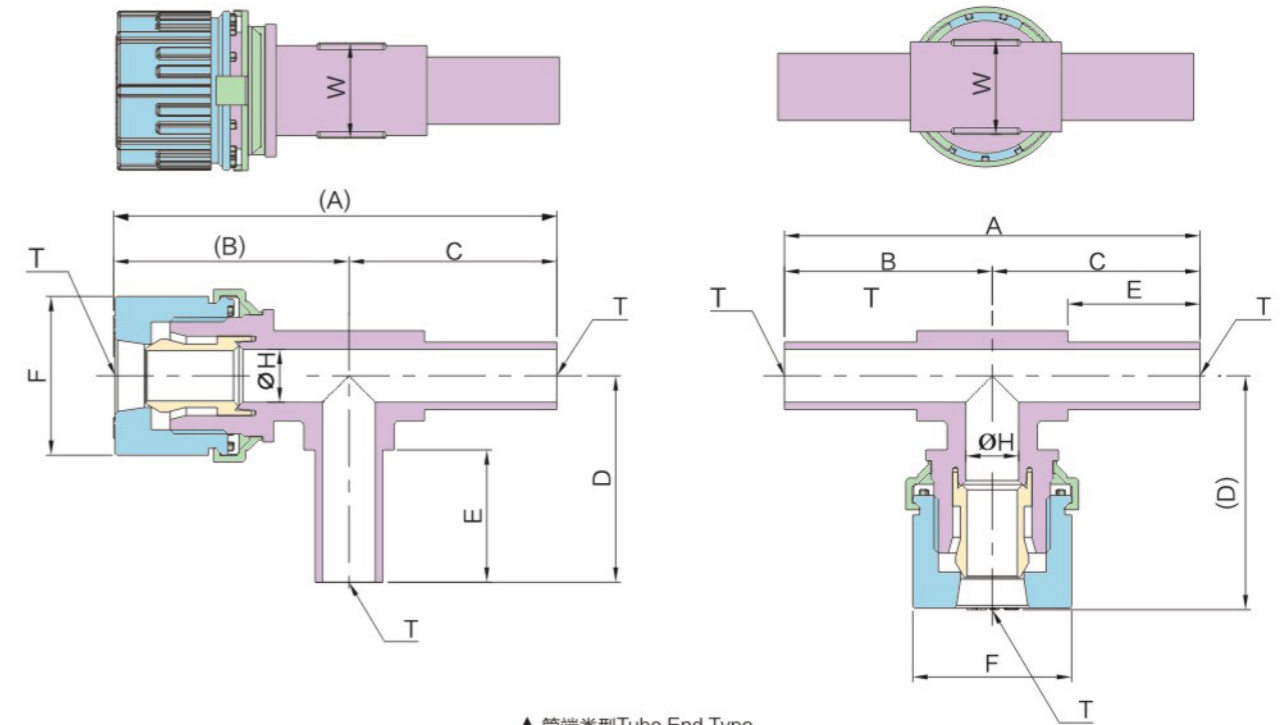


▲ 管端类型 Tube End Type

零件号 PART No.	接管口径 Tube Size	A(A)	B(B)	C(C)	D(D)	E	ΦH	F	W	
公制接头 metric connection 尺寸:毫米 Dimension : mm										
IUTA-6T-6m-M1	d	6 x 4	54	27	27	30.4	17.5	4	17	9.6
IUTA-6m-6T-6T-M1	c	"	57.4	30.4	"	27	"	"	"	"
IUTA-6m-6T-M1	a	"	60.8	"	30.4	"	"	"	"	"
IUTA-6m-6m-6T-M1	b	"	57.4	"	27	30.4	"	"	"	"
IUTA-8T-8m-M1	d	8 x 6	58	29	29	33.7	18	6	20	13
IUTA-8m-8T-8T-M1	c	"	62.7	33.7	"	29	"	"	"	"
IUTA-8m-8T-M1	a	"	67.4	"	33.7	"	"	"	"	"
IUTA-8m-8m-8T-M1	b	"	62.7	"	29	33.7	"	"	"	"
IUTA-10T-10m-M1	d	10 x 8	66.8	33.4	33.4	37.8	21	8	25	14.8
IUTA-10m-10T-10T-M1	c	"	71.3	37.9	"	33.3	"	"	"	"
IUTA-10m-10T-M1	a	"	75.8	"	37.9	"	"	"	"	"
IUTA-10m-10m-10T-M1	b	"	71.3	"	33.4	37.8	"	"	"	"
IUTA-12mT-12m-M1	d	12 x 10	78.5	39.25	39.25	44.2	25	10	30	18
IUTA-12m-12mT-12mT-M1	c	"	83.7	44.45	"	39	"	"	"	"
IUTA-12m-12mT-M1	a	"	88.9	"	44.45	"	"	"	"	"
IUTA-12m-12m-12mT-M1	b	"	83.7	"	39.25	44.2	"	"	"	"
IUTA-19T-19m-M1	d	19 x 15.8	99	49.5	49.5	56.4	31	16	40	27
IUTA-19m-19T-19T-M1	c	"	105.9	56.4	"	49.5	"	"	"	"
IUTA-19m-19T-M1	a	"	112.8	"	56.4	"	"	"	"	"
IUTA-19m-19m-19T-M1	b	"	105.9	"	49.5	56.4	"	"	"	"
IUTA-25T-25m-M1	d	25 x 22	124	62	62	67.9	39	22	50.5	34
IUTA-25m-25T-25T-M1	c	"	129.9	67.9	"	62	"	"	"	"
IUTA-25m-25T-M1	a	"	135.8	"	67.9	"	"	"	"	"
IUTA-25m-25m-25T-M1	b	"	129.9	"	62	67.9	"	"	"	"

· 零件号以外的尺寸 请咨询营业部
· PART No. Outside of size Please consult the sales department

卡套三通接头 UNION TEE ADAPTOR

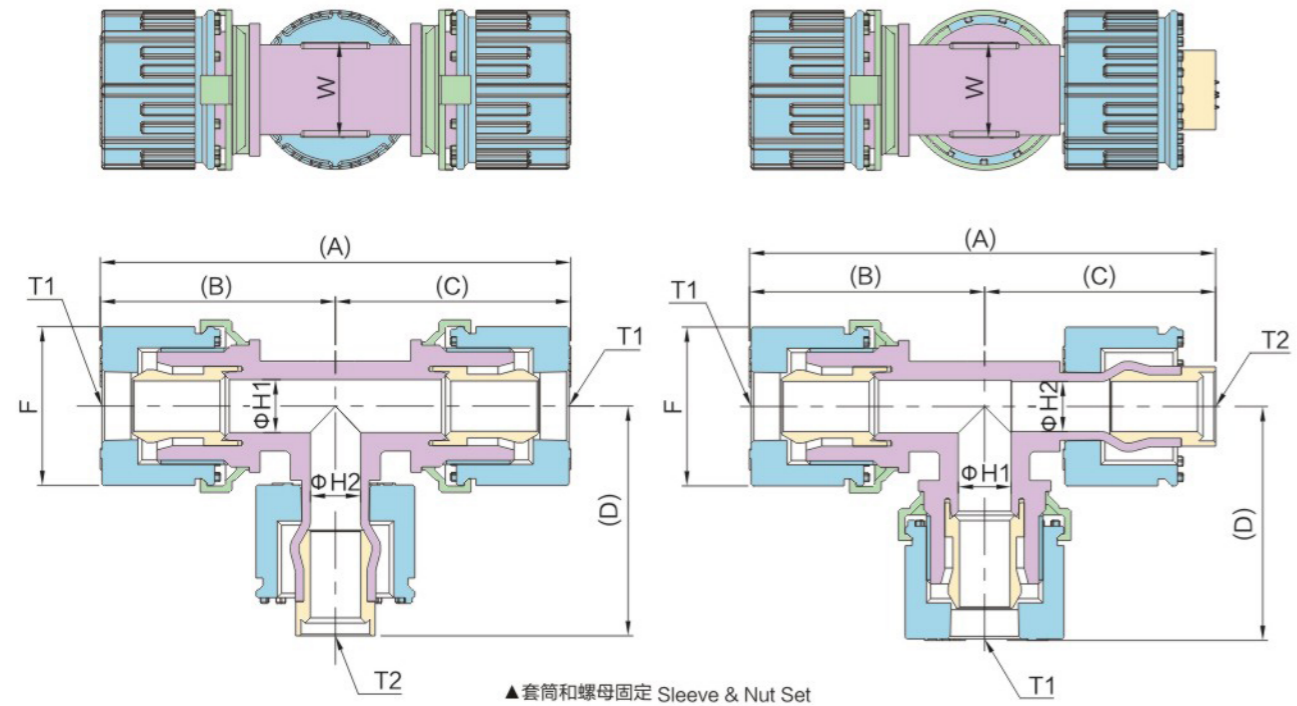


▲ 管端类型 Tube End Type

零件号 PART No.	接管口径 Tube Size	A(A)	B(B)	C(C)	D(D)	E	ΦH	F	W	
英制接头 Inch connection 尺寸:毫米 Dimension : mm										
IUTA-14T-14i-M1	d	1/4" x 5/32"	53	26.5	26.5	30.4	17.5	4	17	9.6
IUTA-14i-14T-14T-M1	c	"	56.9	30.4	"	26.5	"	"	"	"
IUTA-14i-14T-M1	a	"	60.8	"	30.4	"	"	"	"	"
IUTA-14i-14i-14T-M1	b	"	56.9	"	26.5	30.4	"	"	"	"
IUTA-38T-38i-M1	d	3/8" x 1/4"	66.8	33.4	33.4	37.8	21	8	25	14.8
IUTA-38i-38T-38T-M1	c	"	71.3	37.9	"	33.3	"	"	"	"
IUTA-38i-38T-M1	a	"	75.8	"	37.9	"	"	"	"	"
IUTA-38i-38i-38T-M1	b	"	71.3	"	33.4	37.8	"	"	"	"
IUTA-12T-12i-M1	d	1/2" x 3/8"	78.5	39.25	39.25	44.2	25	10	30	18
IUTA-12i-12T-12T-M1	c	"	83.7	44.45	"	39	"	"	"	"
IUTA-12i-12T-M1	a	"	88.9	"	44.45	"	"	"	"	"
IUTA-12i-12i-12T-M1	b	"	83.7	"	39.25	44.2	"	"	"	"
IUTA-34T-34i-M1	d	3/4" x 5/8"	99	49.5	49.5	56.4	31	16	40	27
IUTA-34i-34T-34T-M1	c	"	105.9	56.4	"	49.5	"	"	"	"
IUTA-34i-34T-M1	a	"	112.8	"	56.4	"	"	"	"	"
IUTA-34i-34i-34T-M1	b	"	105.9	"	49.5	56.4	"	"	"	"
IUTA-1T-1i-M1	d	1" x 7/8"	124	62	62	67.9	39	22	50.5	34
IUTA-1i-1T-1T-M1	c	"	129.9	67.9	"	62	"	"	"	"
IUTA-1i-1T-M1	a	"	135.8	"	67.9	"	"	"	"	"
IUTA-1i-1i-1T-M1	b	"	129.9	"	62	67.9	"	"	"	"

· 零件号以外的尺寸 请咨询营业部
· PART No. Outside of size Please consult the sales department

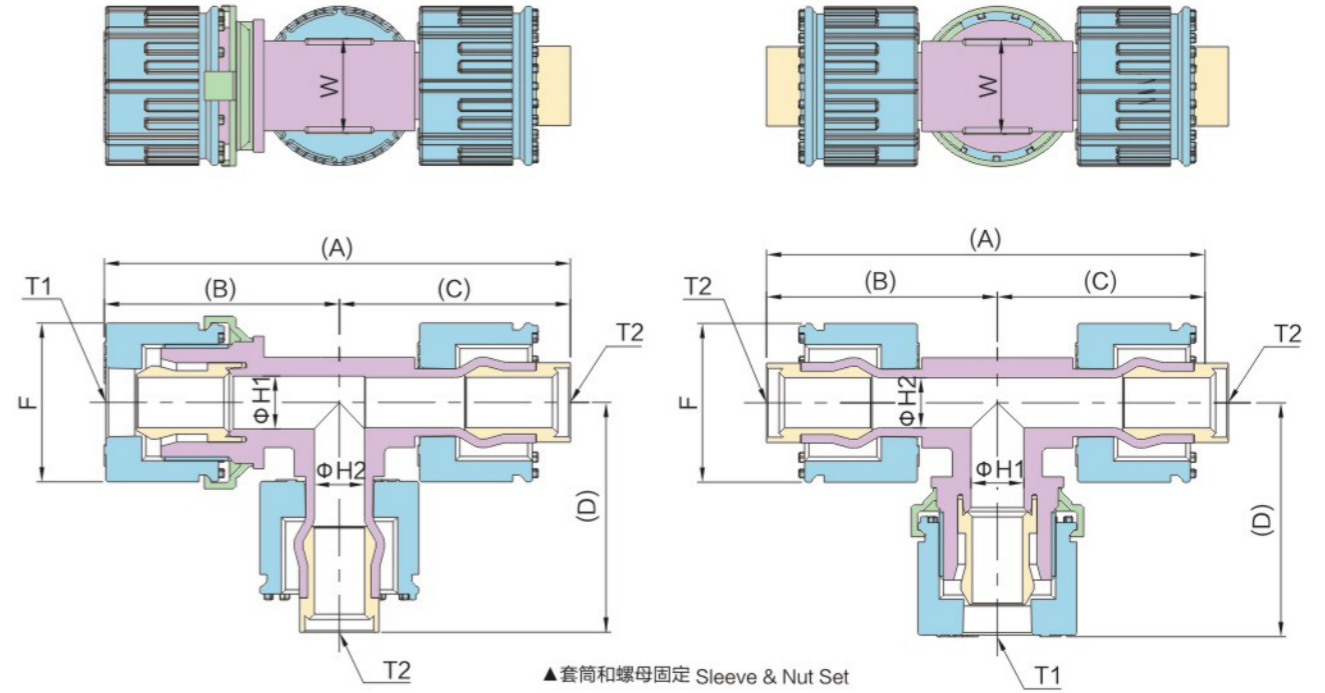
卡套三通接头 UNION TEE ADAPTOR



零件号 PART No.	接管口径T1 Tube Size T1	可连接阀体尺寸T2 Connectable Body Size T2	(A)	(B)	(C)	(D)	ΦH1	ΦH2	F	W	
公制接头 metric connection											
尺寸:毫米Dimension : mm											
IUTA-6A-6m-M1	d	6 x 4	6	57.8	28.9	28.9	30.4	4	4	17	9.6
IUTA-6m-6A-6A-M1	c	"	"	59.3	30.4	"	28.9	"	"	"	"
IUTA-6m-6A-M1	a	"	"	60.8	"	30.4	"	"	"	"	"
IUTA-6m-6m-6A-M1	b	"	"	59.3	"	28.9	30.4	"	"	"	"
IUTA-8A-8m-M1	d	8 x 6	8	65.2	32.6	32.6	33.7	6	6	20	13
IUTA-8m-8A-8A-M1	c	"	"	66.3	33.7	"	32.6	"	"	"	"
IUTA-8m-8A-M1	a	"	"	67.4	"	33.7	"	"	"	"	"
IUTA-8m-8m-8A	b	"	"	66.3	"	32.6	33.7	"	"	"	"
IUTA-10A-10m-M1	d	10 x 8	10	73.6	36.8	36.8	37.8	8	8	25	14.8
IUTA-10m-10A-10A-M1	c	"	"	74.7	37.9	"	36.7	"	"	"	"
IUTA-10m-10A-M1	a	"	"	75.8	"	37.9	"	"	"	"	"
IUTA-10m-10m-10A-M1	b	"	"	74.7	"	36.8	37.8	"	"	"	"
IUTA-12mA-12m-M1	d	12 x 10	12	87.3	43.65	43.65	44.2	10	10	30	18
IUTA-12m-12mA-12mA-M1	c	"	"	88.1	44.45	"	43.4	"	"	"	"
IUTA-12m-12mA-M1	a	"	"	88.9	"	44.45	"	"	"	"	"
IUTA-12m-12m-12mA-M1	b	"	"	88.1	"	43.65	44.2	"	"	"	"
IUTA-19A-19m-M1	d	19 x 15.8	19	109.4	54.7	54.7	56.4	16	15.8	40	27
IUTA-19m-19A-19A-M1	c	"	"	111.1	56.4	"	54.7	"	"	"	"
IUTA-19m-19A-M1	a	"	"	112.8	"	56.4	"	"	"	"	"
IUTA-19m-19m-19A-M1	b	"	"	111.1	"	54.7	56.4	"	"	"	"
IUTA-25A-25m-M1	d	25 x 22	25	138	69	69	67.9	22	22	50.5	34
IUTA-25m-25A-25A-M1	c	"	"	136.9	67.9	"	69	"	"	"	"
IUTA-25m-25A-M1	a	"	"	135.8	"	67.9	"	"	"	"	"
IUTA-25m-25m-25A-M1	b	"	"	136.9	"	69	67.9	"	"	"	"

· 零件号以外的尺寸 请咨询营业部
· PART No. Outside of size Please consult the sales department

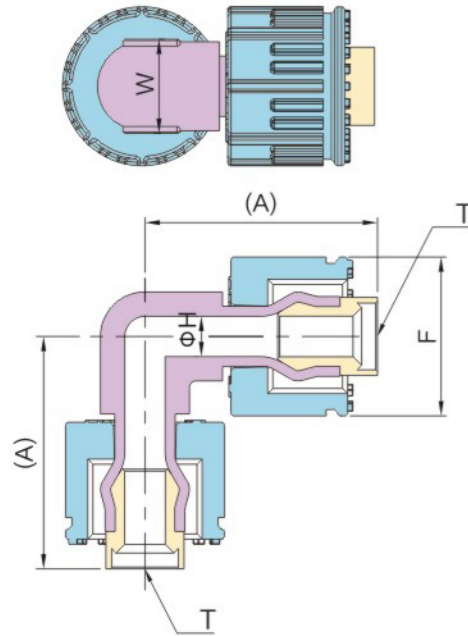
卡套三通接头 UNION TEE ADAPTOR



零件号 PART No.	接管口径T1 Tube Size T1	可连接阀体尺寸T2 Connectable Body Size T2	(A)	(B)	(C)	(D)	ΦH1	ΦH2	F	W	
英制接头 Inch connection											
尺寸:毫米Dimension : mm											
IUTA-14A-14i-M1	d	1/4" x 5/32"	1/4"	57.8	28.9	28.9	30.4	4	3.95	17	9.6
IUTA-14i-14A-14A-M1	c	"	"	59.3	30.4	"	28.9	"	"	"	"
IUTA-14i-14A-M1	a	"	"	60.8	"	30.4	"	"	"	"	"
IUTA-14i-14i-14A-M1	b	"	"	59.3	"	28.9	30.4	"	"	"	"
IUTA-38A-38i-M1	d	3/8" x 1/4"	3/8"	73.6	36.8	36.8	37.8	8	6.33	25	14.8
IUTA-38i-38A-38A-M1	c	"	"	74.7	37.9	"	36.7	"	"	"	"
IUTA-38i-38A-M1	a	"	"	75.8	"	37.9	"	"	"	"	"
IUTA-38i-38i-38A-M1	b	"	"	74.7	"	36.8	37.8	"	"	"	"
IUTA-12A-12i-M1	d	1/2" x 3/8"	1/2"	87.3	43.65	43.65	44.2	10	9.5	30	18
IUTA-12i-12A-12A-M1	c	"	"	88.1	44.45	"	43.4	"	"	"	"
IUTA-12i-12A-M1	a	"	"	88.9	"	44.45	"	"	"	"	"
IUTA-12i-12i-12A-M1	b	"	"	88.1	"	43.65	44.2	"	"	"	"
IUTA-34A-34i-M1	d	3/4" x 5/8"	3/4"	109.4	54.7	54.7	56.4	16	15.8	40	27
IUTA-34i-34A-34A-M1	c	"	"	111.1	56.4	"	54.7	"	"	"	"
IUTA-34i-34A-M1	a	"	"	112.8	"	56.4	"	"	"	"	"
IUTA-34i-34i-34A-M1	b	"	"	111.1	"	54.7	56.4	"	"	"	"
IUTA-1A-1i-M1	d	1" x 7/8"	1"	138	69	69	67.9	22	22.2	50.5	34
IUTA-1i-1A-1A-M1	c	"	"	136.9	67.9	"	69	"	"	"	"
IUTA-1i-1A-M1	a	"	"	135.8	"	67.9	"	"	"	"	"
IUTA-1i-1i-1A-M1	b	"	"	136.9	"	69	67.9	"	"	"	"

· 零件号以外的尺寸 请咨询营业部
· PART No. Outside of size Please consult the sales department

弯管接头 ELBOW ADAPTOR

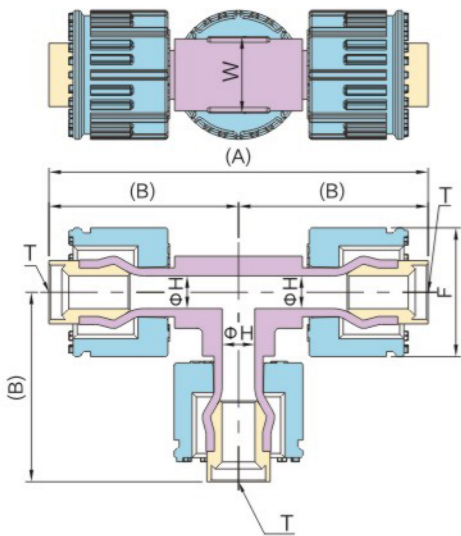


▲套筒和螺母固定 Sleeve & Nut Set

零件号 PART No.	可连接阀体尺寸T Connectable Body Size T	(A)	ΦH	F	W
公制接头 metric connection 尺寸:毫米Dimension : mm					
IEA-6A-6A-M1	6	28.9	4	17	9.6
IEA-8A-8A-M1	8	12.5	6	20	12.5
IEA-10A-10A-M1	10	36.6	8	25	14.8
IEA-12mA-12mA-M1	12	43.4	10	30	18
IEA-19A-19A-M1	19	54.7	15.8	40	27
IEA-25A-25A-M1	25	68.8	22	50.5	34
英制接头 Inch connection 尺寸:毫米Dimension : mm					
IEA-14A-14A-M1	1/4"	28.9	3.95	17	9.6
IEA-38A-38A-M1	3/8"	36.6	6.33	25	14.8
IEA-12A-12A-M1	1/2"	43.4	9.5	30	18
IEA-34A-34A-M1	3/4"	54.7	15.8	40	27
IEA-1A-1A-M1	1"	68.8	22.2	50.5	34

· 零件号以外的尺寸 请咨询营业部
· PART No. Outside of size Please consult the sales department

三通接头 TEE ADAPTOR

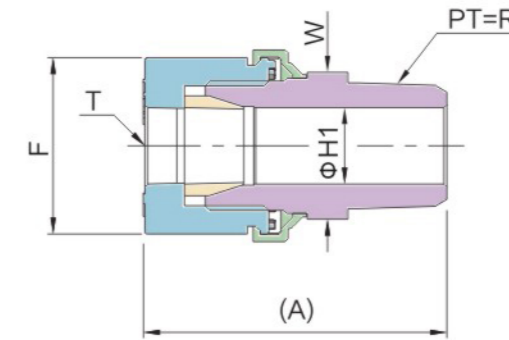
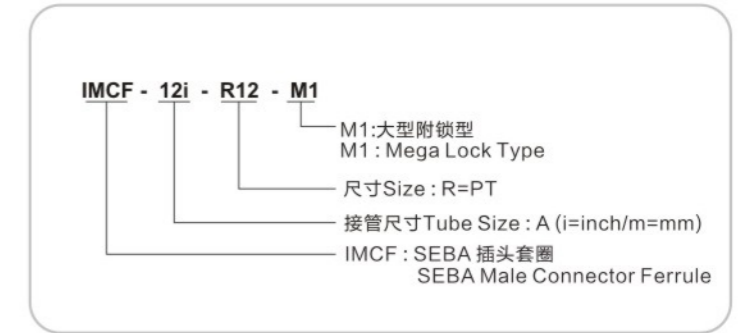
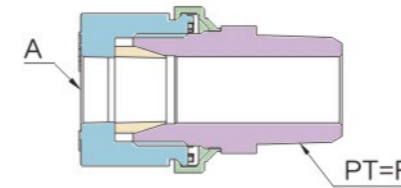


▲套筒和螺母固定 Sleeve & Nut Set

零件号 PART No.	可连接阀体尺寸T Connectable Body Size T	(A)	(B)	ΦH	F	W
公制接头 metric connection 尺寸:毫米Dimension : mm						
ITA-6A-6A-M1	6	57.8	28.9	4	17	9.6
ITA-8A-8A-M1	8	65.2	12.5	6	20	12.5
ITA-10A-10A-M1	10	73.6	36.6	8	25	14.8
ITA-12mA-12mA-M1	12	87.3	43.4	10	30	18
ITA-19A-19A-M1	19	109.4	54.7	15.8	40	27
ITA-25A-25A-M1	25	138	68.8	22	50.5	34
英制接头 Inch connection 尺寸:毫米Dimension : mm						
ITA-14A-14A-M1	1/4"	57.8	28.9	3.95	17	9.6
ITA-38A-38A-M1	3/8"	73.6	36.6	6.33	25	14.8
ITA-12A-12A-M1	1/2"	87.3	43.4	9.5	30	18
ITA-34A-34A-M1	3/4"	109.4	54.7	15.8	40	27
ITA-1A-1A-M1	1"	138	68.8	22.2	50.5	34

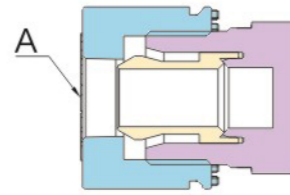
· 零件号以外的尺寸 请咨询营业部
· PART No. Outside of size Please consult the sales department

插头(套圈类型) MALE CONNECTOR(FERRULE TYPE)



零件号 PART No.	接管口径 Tube Size	螺纹尺寸 Thread Size	(A)	ΦH2	F	W
公制接头 metric connection(R=PT) 尺寸:毫米Dimension : mm						
IMCF-6m-R18-M1	6x4	R1/8	34.9	6.5	17.3	16
IMCF-6m-R14-M1	"	R1/4	38.9	"	"	"
IMCF-6m-R38-M1	"	R3/8	"	10	"	"
IMCF-8m-R14-M1	8x6	R1/4	40.7	8.2	19.5	18
IMCF-8m-R38-M1	"	R3/8	"	"	"	"
IMCF-8m-R12-M1	"	R1/2	44.7	"	22.7	21
IMCF-10m-R38-M1	10x8	R3/8	43.5	10.2	"	"
IMCF-10m-R12-M1	"	R1/2	47.5	"	"	"
IMCF-12m-R38-M1	12x10	R3/8	48.2	12.2	27	25
IMCF-12m-R12-M1	"	R1/2	52.2	"	"	"
IMCF-19m-R34-M1	19x15.8	R3/4	64.4	19.2	36.8	34
IMCF-25m-R1-M1	25x22	R1	78.1	25.6	46.5	43
英制接头 Inch connection (R=PT) 尺寸:毫米Dimension : mm						
IMCF-14i-R18-M1	1/4"x5/32"	R1/8	34.9	6.5	17.3	16
IMCF-14i-R14-M1	"	R1/4	38.9	"	"	"
IMCF-14i-R38-M1	"	R3/8	"	10	"	"
IMCF-38i-R38-M1	3/8"x1/4"	R3/8	43.5	9.7	22.7	21
IMCF-38i-R12-M1	"	R1/2	47.5	"	"	"
IMCF-12i-R38-M1	1/2"x3/8"	R3/8	48.2	13	27	25
IMCF-12i-R12-M1	"	R1/2	52.2	"	"	"
IMCF-34i-R34-M1	3/4"x5/8"	R3/4	64.4	19.2	36.8	34
IMCF-1i-R1-M1	1"x7/8"	R1	78.1	25.6	46.5	43

管帽 TUBE CAP

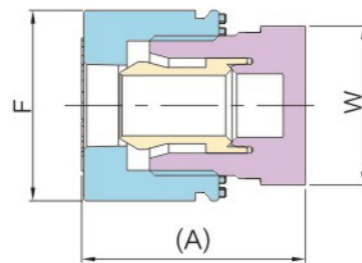


IF -TC12i -MP1

M1:大型附锁型
M1 : Mega Lock Type

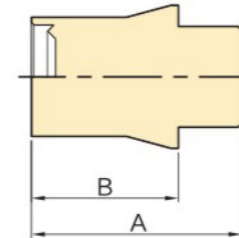
TC : 管帽Tube Cap
接管尺寸Tube Size : A (i=inch/m=mm)

IF : SEBA 配件
SEBA Fitting



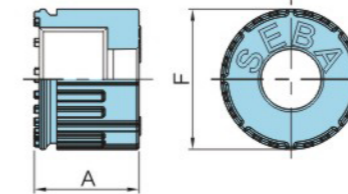
零件号 PART No.	接管口径 Tube Size	(A)	F	W
公制接头 metric connection 尺寸:毫米Dimension : mm				
IF-TC3m-M1	3 x 2	22	12.7	13.9
IF-TC4m-M1	4 x 3	"	"	"
IF-TC6m-M1	6 x 4	25.9	17	16
IF-TC8m-M1	8 x 6	27.7	20	18
IF-TC10m-M1	10 x 8	30.5	25	21
IF-TC12m-M1	12 x 10	35.2	30	25
IF-TC19m-M1	19 x 15.8	45.4	40	34
IF-TC25m-M1	25 x 22	56.9	50.5	43
英制接头 Inch connection 尺寸:毫米Dimension : mm				
IF-TC18i-M1	1/8" x 0.086"	22	12.7	13.9
IF-TC14i-M1	1/4" x 5/32"	25.9	17	16
IF-TC38i-M1	3/8" x 1/4"	30.5	25	21
IF-TC12i-M1	1/2" x 3/8"	35.2	30	25
IF-TC34i-M1	3/4" x 5/8"	45.4	40	34
IF-TC1i-M1	1" x 7/8"	56.9	50.5	43

帽套 CAP SLEEVE



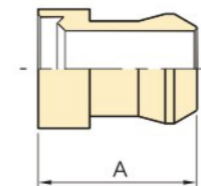
零件号 PART No.	接管口径 Tube Size	A	B
公制接头 metric connection 尺寸:毫米Dimension : mm			
IF-CS3m-MF	3 x 2	12.3	9.8
IF-CS4m-MF	4 x 3	"	"
IF-CS6m-MF	6 x 4	17.5	11.5
IF-CS8m-MF	8 x 6	19	12.6
IF-CS10m-MF	10 x 8	21.2	14.2
IF-CS12m-MF	12 x 10	27	19
IF-CS19m-MF	19 x 15.8	32.8	23.8
IF-CS25m-MF	25 x 22	40.2	30.2
英制接头 Inch connection 尺寸:毫米Dimension : mm			
IF-CS18i-MF	1/8" x 0.086"	12.3	9.8
IF-CS14i-MF	1/4" x 5/32"	17.5	11.5
IF-CS38i-MF	3/8" x 1/4"	21.2	14.2
IF-CS12i-MF	1/2" x 3/8"	27	19
IF-CS34i-MF	3/4" x 5/8"	32.8	23.8
IF-CS1i-MF	1" x 7/8"	40.2	30.2

螺母 NUT



零件号 PART No.	接管口径 Tube Size	A	F	W
公制接头 metric connection 尺寸:毫米Dimension : mm				
IF-N3m-M1	3 x 2	10	12.7	11
IF-N4m-M1	4 x 3	"	"	"
IF-N6m-M1	6 x 4	15.8	17	-
IF-N8m-M1	8 x 6	17.9	20	-
IF-N10m-M1	10 x 8	19.5	25	-
IF-N12m-M1	12 x 10	22.7	30	-
IF-N19m-M1	19 x 15.8	28.8	40	-
IF-N25m-M1	25 x 22	33.8	50.5	-
英制接头 Inch connection 尺寸:毫米Dimension : mm				
IF-N18i-M1	1/8" x 0.086"	10	12.7	11
IF-N14i-M1	1/4" x 5/32"	15.8	17	-
IF-N38i-M1	3/8" x 1/4"	19.5	25	-
IF-N12i-M1	1/2" x 3/8"	22.7	30	-
IF-N34i-M1	3/4" x 5/8"	28.8	40	-
IF-N1i-M1	1" x 7/8"	33.8	50.5	-

套筒 SLEEVE



零件号 PART No.	接管口径 Tube Size	A
公制接头 metric connection 尺寸:毫米Dimension : mm		
IF-S3m-P1	3 x 2	10
IF-S4m-P1	4 x 3	"
IF-S6m-M1	6 x 4	12.5
IF-S8m-M1	8 x 6	14
IF-S10m-M1	10 x 8	15.8
IF-S12m-M1	12 x 10	20.2
IF-S19m-M1	19 x 15.8	24.3
IF-S25m-M1	25 x 22	31
英制接头 Inch connection 尺寸:毫米Dimension : mm		
IF-S18i-P1	1/8" x 0.086"	10
IF-S14i-M1	1/4" x 5/32"	12.4
IF-S38i-M1	3/8" x 1/4"	15.7
IF-S12i-M1	1/2" x 3/8"	20
IF-S34i-M1	3/4" x 5/8"	24.3
IF-S1i-M1	1" x 7/8"	31

扩管夹具(特大锁紧型) TUBE EXPANDING JIG (MEGA LOCK TYPE)



管扩张枪
Tube Expanding Gun

*外形大小Body Size. 296(W) × 160(L) × 47(H)

尺寸Size	代号Code No	重量Weight
1/8", 1/4"	IF-TET-J1-M1	750g
3mm ~ 8mm	IF-TET-J1M-M1	750g



管扩张的工具
Tube Expanding Tool

*外形大小Body Size. 310(W) × 105(L) × 62(H)

尺寸Size	代号Code No	重量Weight
1/8", 1/4"	IF-TET-J2-M1	2650g
3mm ~ 8mm	IF-TET-J2M-M1	2650g



扩管夹具<棒型>
Tube Expanding Jig <Rod Type>

零件名称Part Name	尺寸Size	代号Code No	重量Weight
设定代号 Set Code No	Inch mm	IFER-i-S-M1 IFER-M-S-M1	570g 630g



扩管夹具(L)/套筒固定夹具(R)/ 大口径扩大夹具
Tube Expanding Jig (L) / Sleeve Fix Jig (R) /
Large Diameter Expanding Jig

零件名称Part Name	尺寸Size	代号Code No	重量Weight
设定代号 Set Code No	Inch	IFEF-i-S-M1	940g
	mm	IFEF-M-S-M1	940g
	1-1/4"	IFEF-114i-S	-
	1-1/2"	IFEF-112i-S	-

螺母装配夹具 NUT ASSEMBLY JIG



零件名称Part Name	尺寸Size	代号Code No	重量Weight
螺母装配夹具 Nut Assembly Jig	1/4" (6mm)	IFA-14i-M1	5g
	8mm	IFA-8m-M1	5g
	3/8" (10mm)	IFA-38i-M1	10g
	1/2" (12mm)	IFA-12i-M1	15g
	3/4" (19mm)	IFA-34i-M1	30g
	1" (25mm)	IFA-1i-M1	40g
设定代号Set Code No	Inch / mm	IFA-SET-M1	295g

PFA管 PFA TUBE



符号 Symbol

SPT - D - 1/4 50M

企业代号
Enterprise code

品牌代号
Brand code
DAKIN
(AP-231SH)

气管外径
Outer diameter of trachea

1/4
3/8
1/2
3/4
1
1-1/4
1-2
2/1

长度代号
Length code

20M
50M
100M
150M
200M